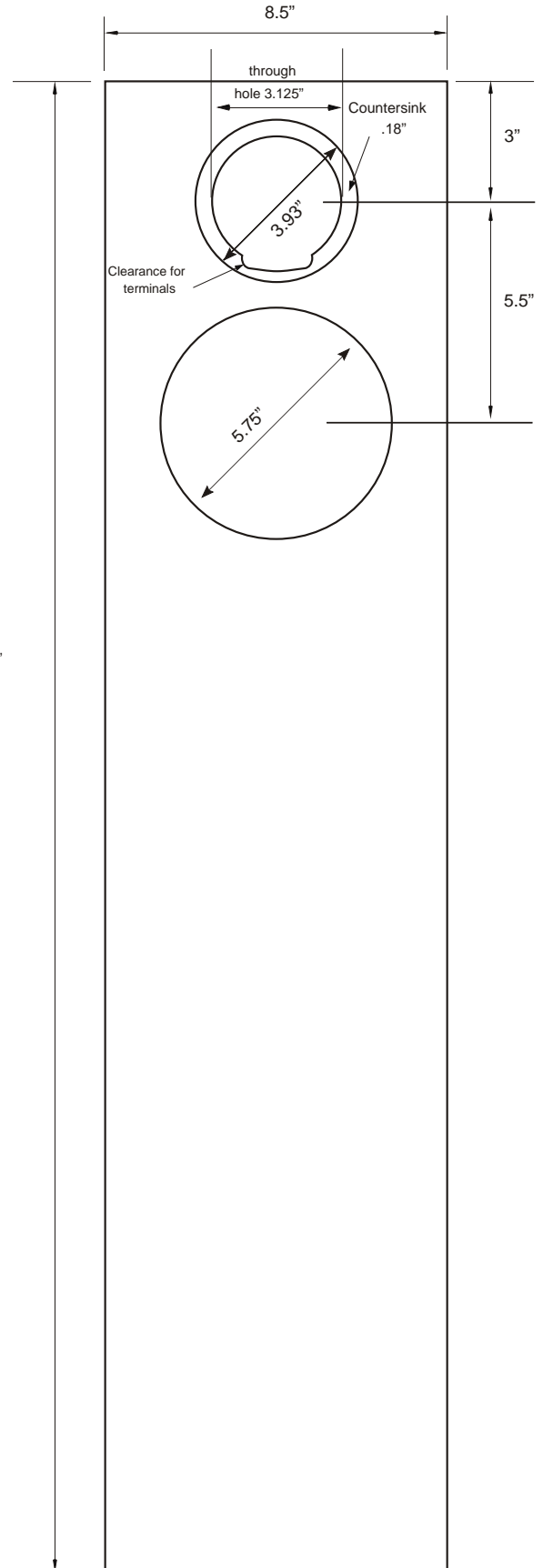
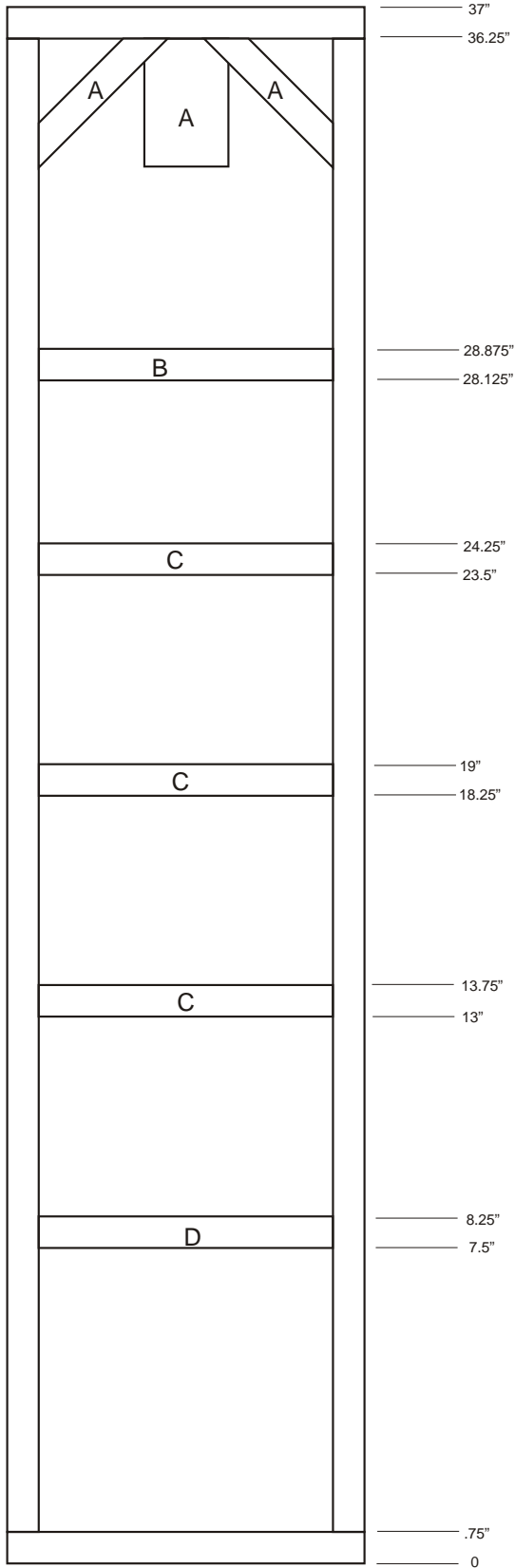
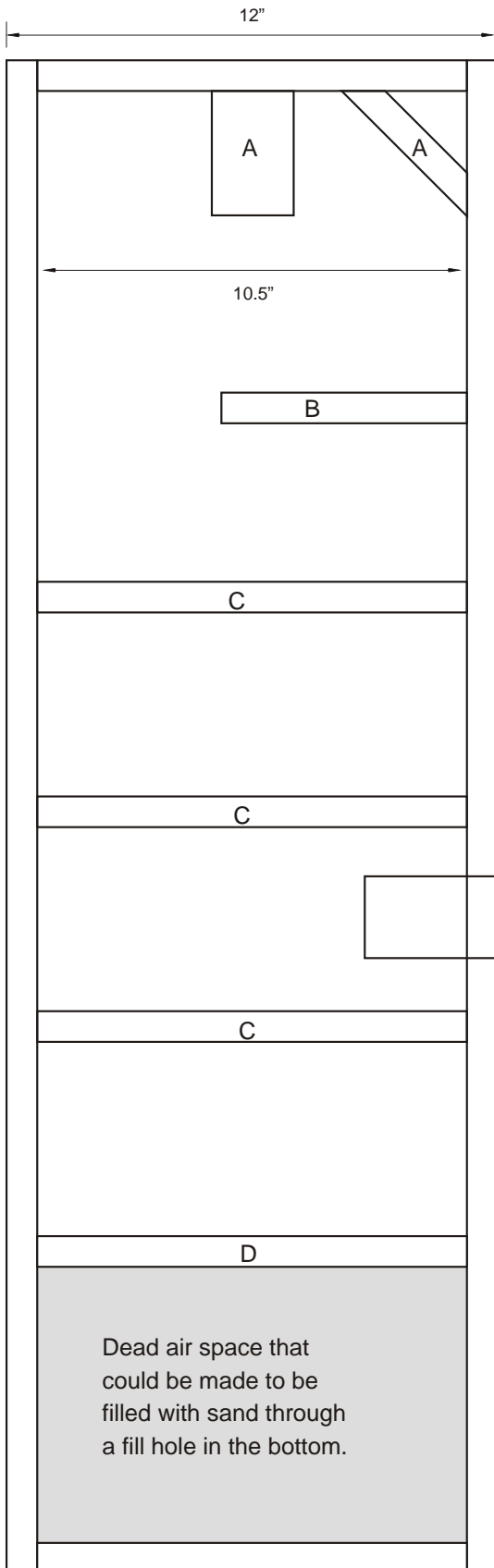


Front view



Side view



Front and back panels 8.5" wide by 37" tall.

Left and right side panels 10.5" deep by 35.5" tall.

Top and Bottom panels 8.5" wide by 10.5" deep.

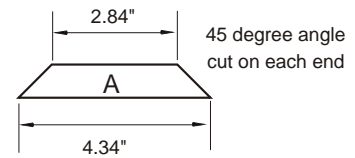
Brace A is a diagonal brace 2" wide and 4.34" long.

These are just like the other braces used in the smaller XLS speaker. Two run sides to top and one runs from the back to the top.

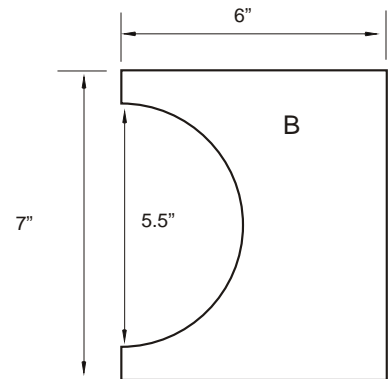
Brace B is 7" wide and 6" deep.

Brace C is 7" wide and 10.5" deep.

Brace D is a solid divider (no hole in it) and it is 7" wide by 10.5" deep.



Port size is 2" in diameter and 3.25" in depth. Center in this area between the braces.



Binding post cup in this area.

