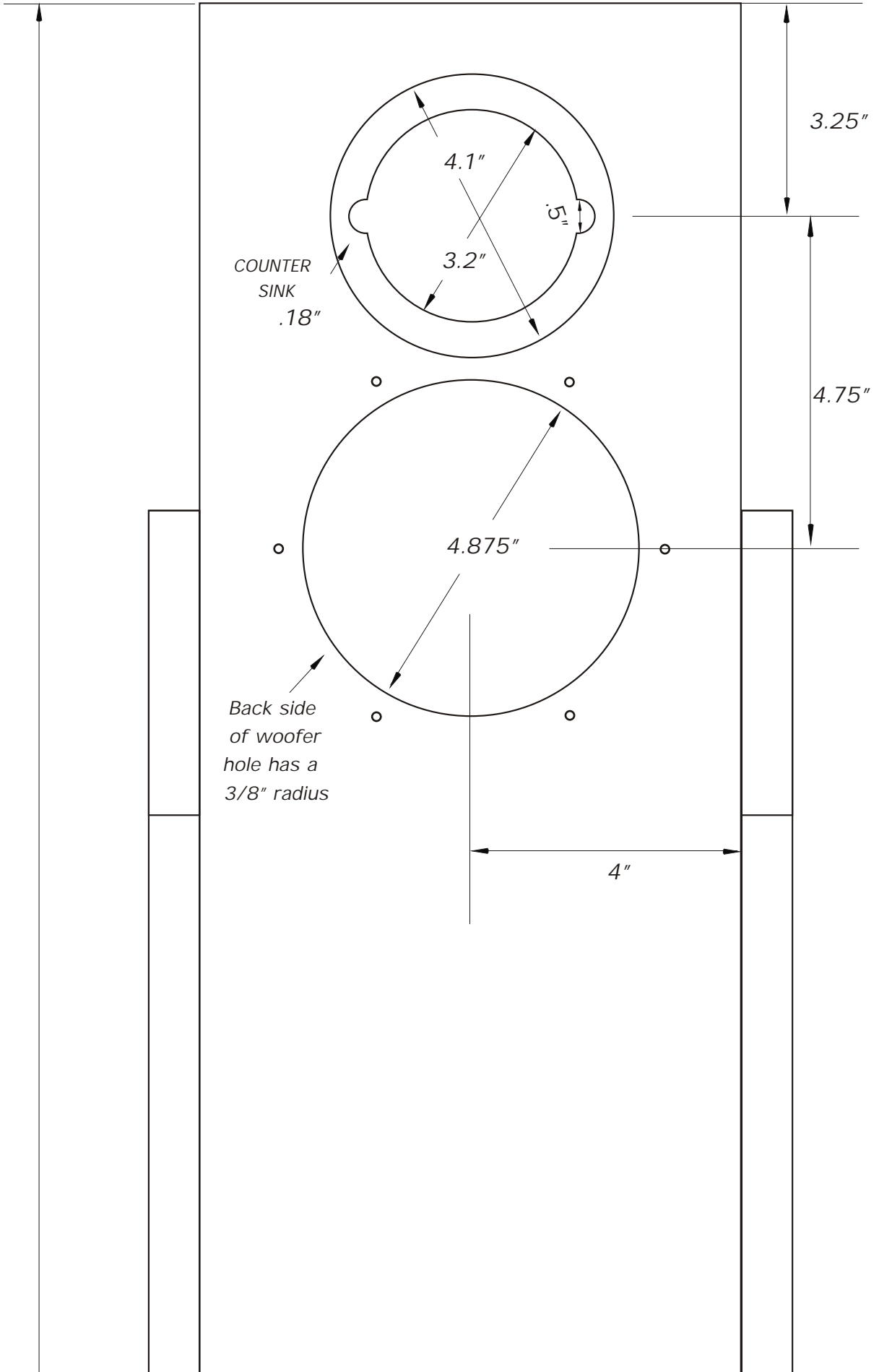


39.25"



COUNTER
SINK
.18"

4.1"

3.2"

.5"

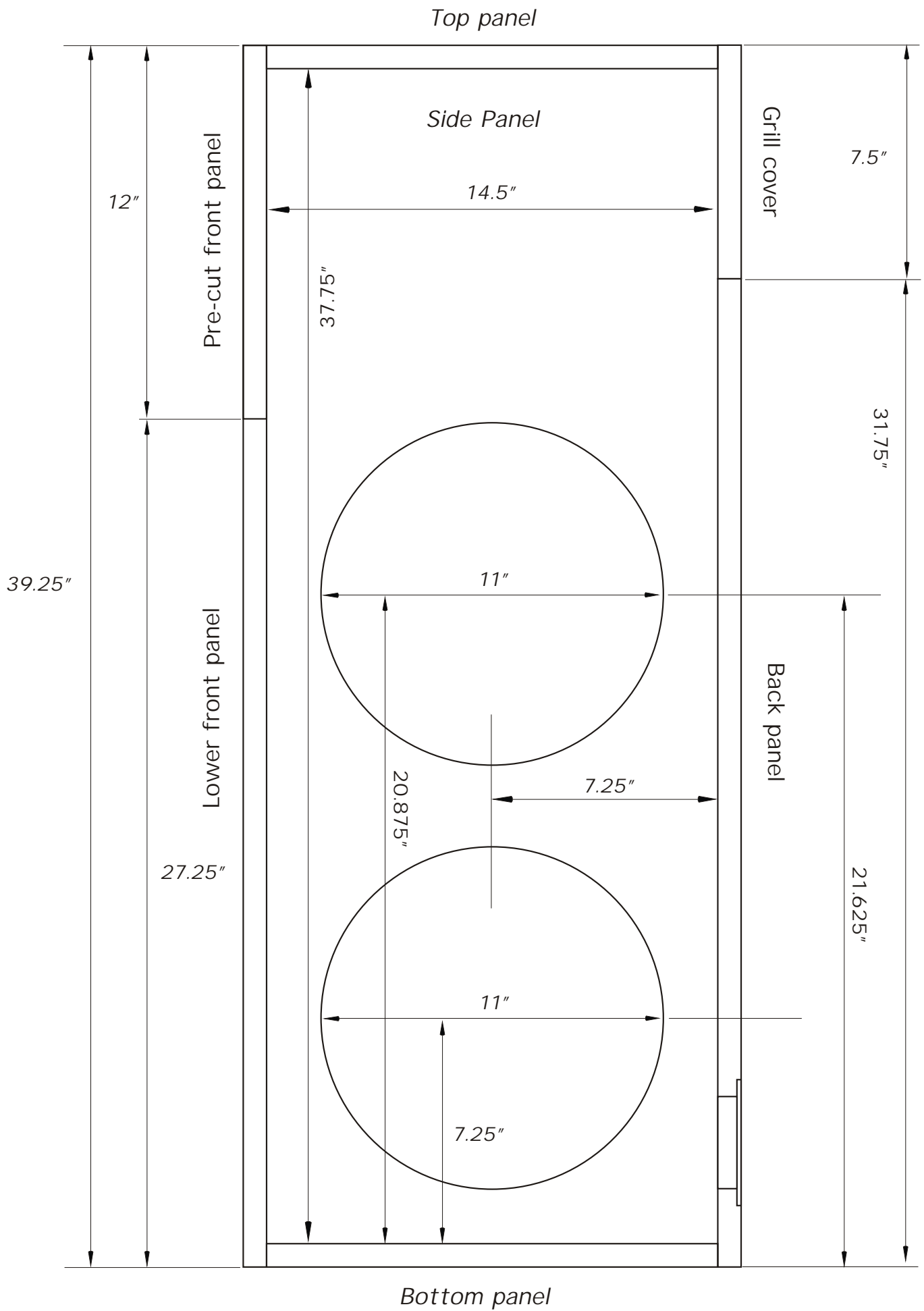
3.25"

4.75"

4.875"

Back side
of woofer
hole has a
3/8" radius

4"



Top panel

Side Panel

Grill cover

Back panel

Bottom panel

12"

Pre-cut front panel

14.5"

7.5"

37.75"

31.75"

39.25"

Lower front panel

11"

20.875"

7.25"

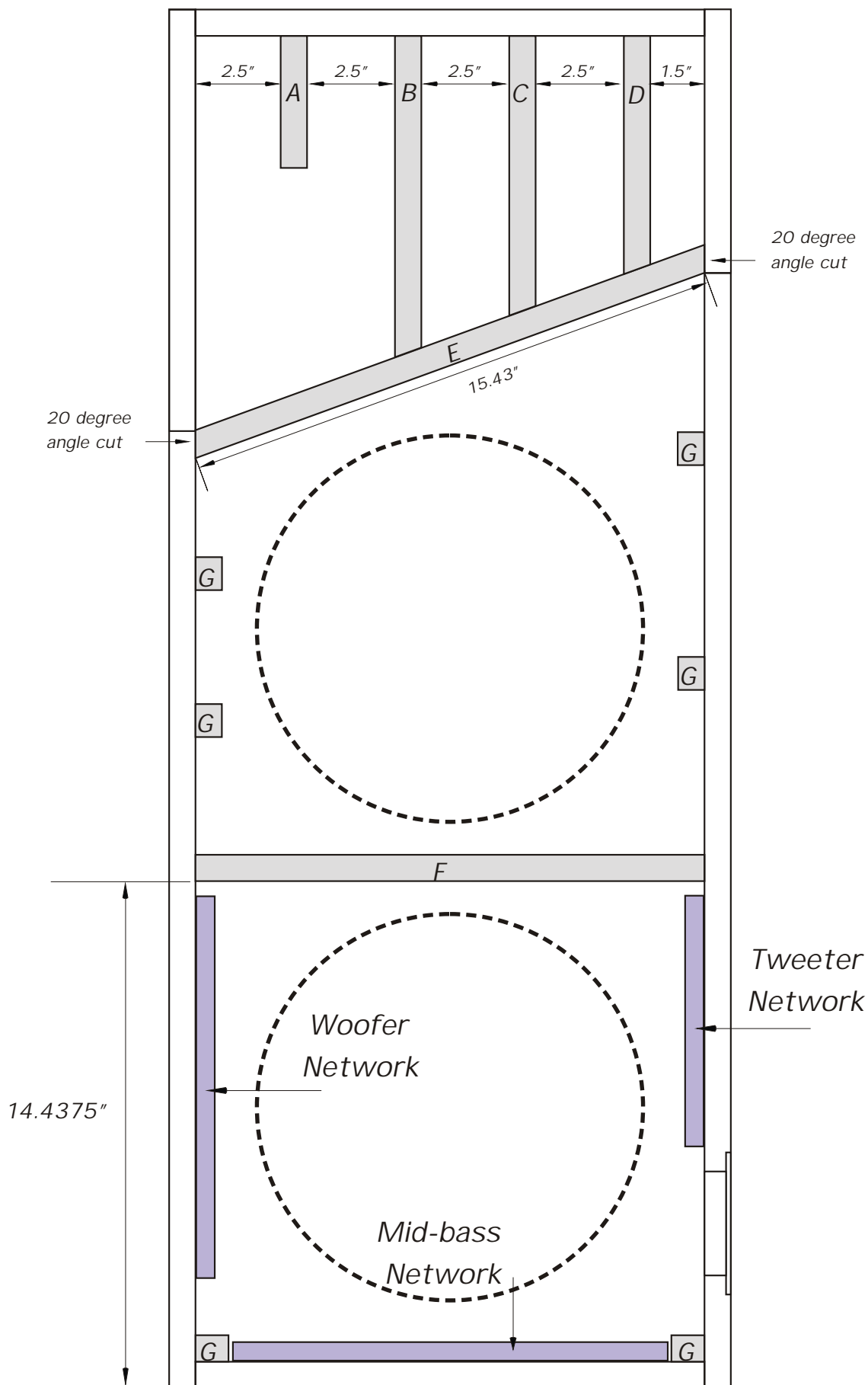
27.25"

21.625"

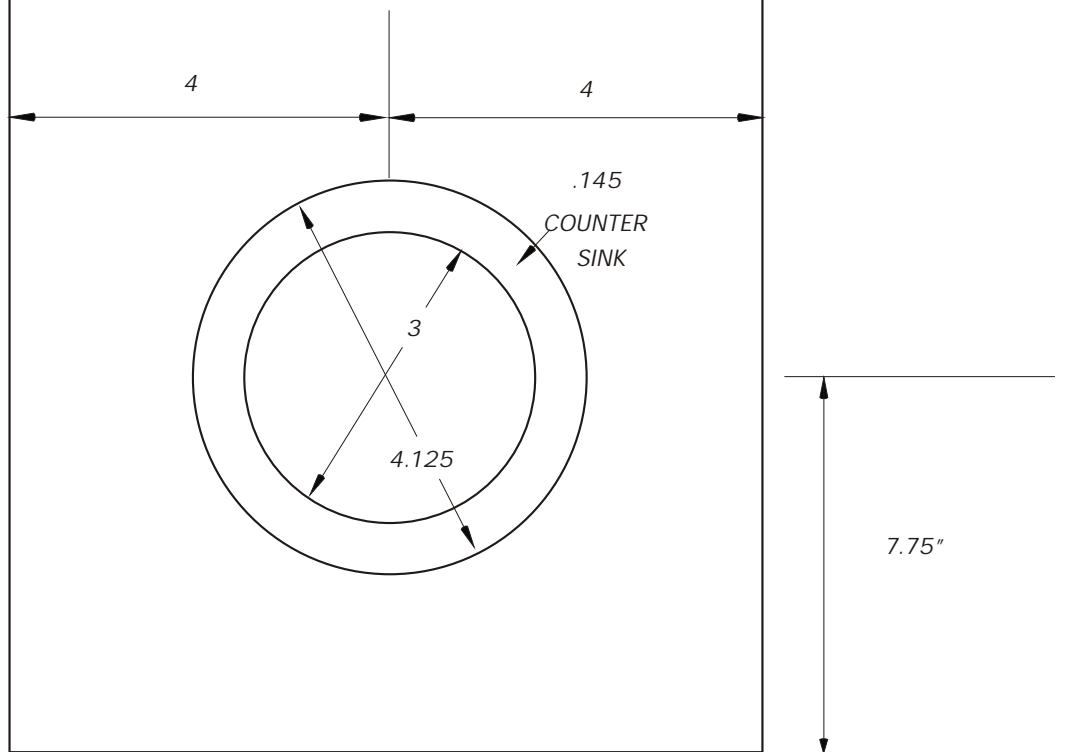
11"

7.25"

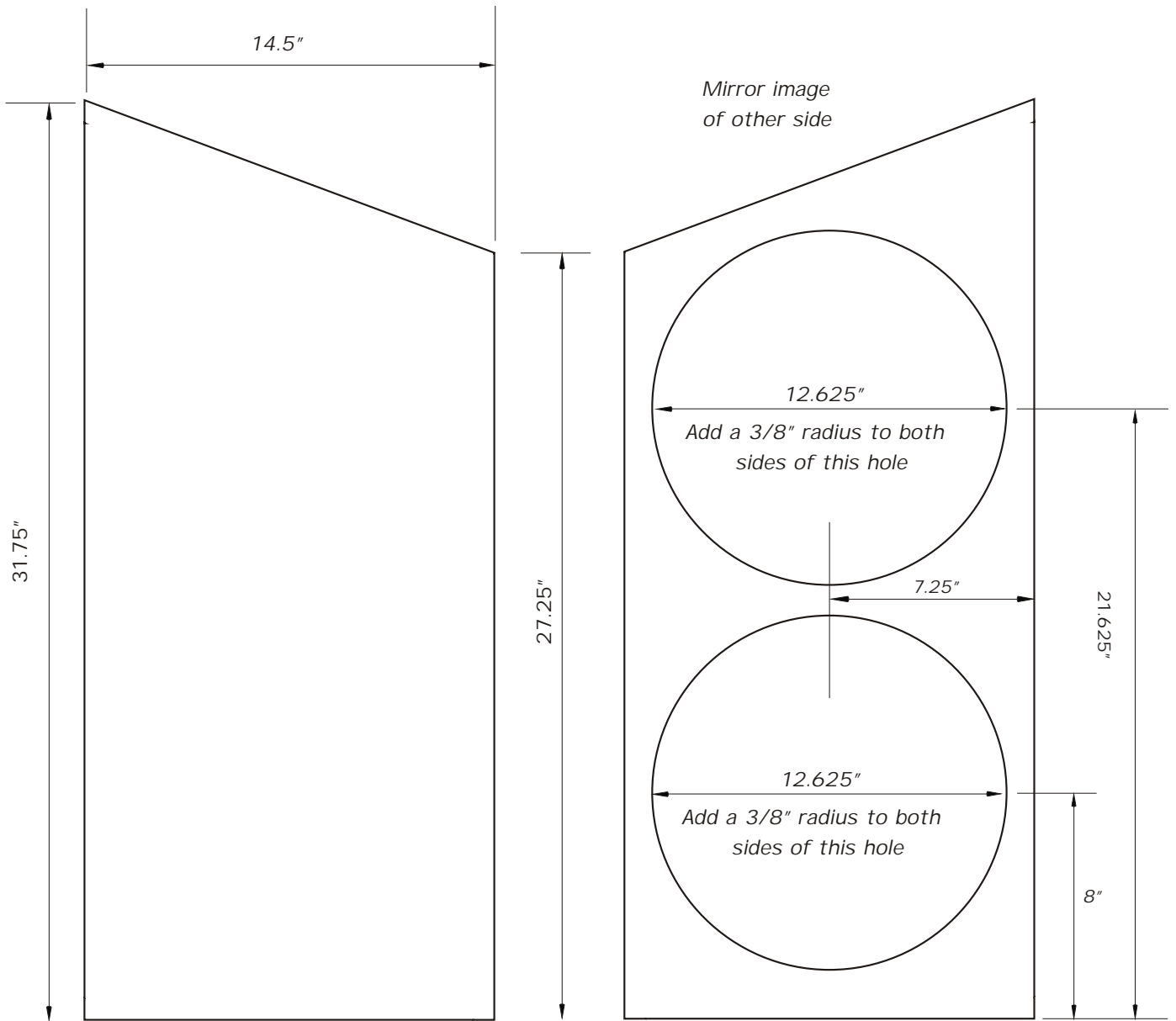
Side shot of bracing



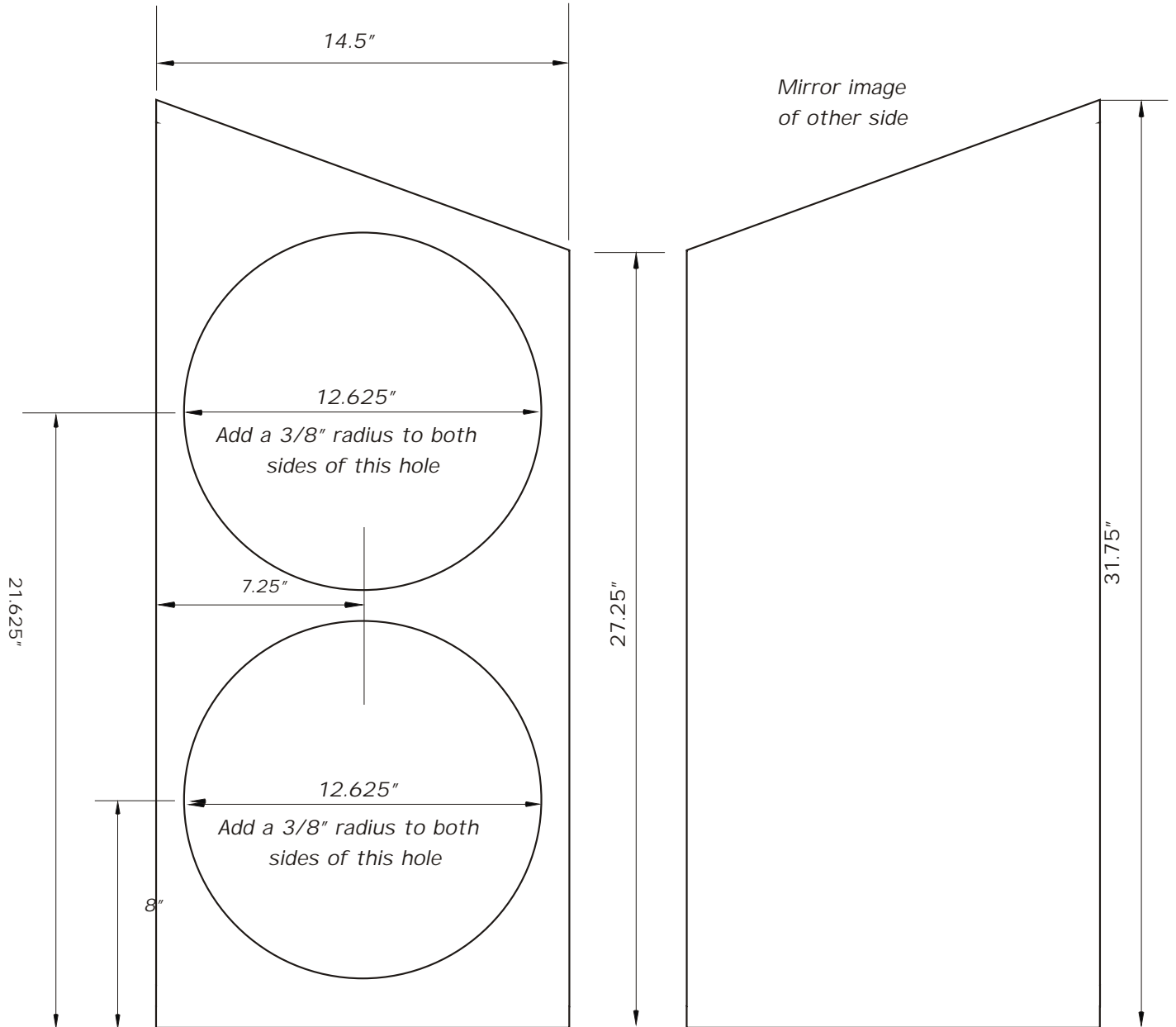
back panel close up



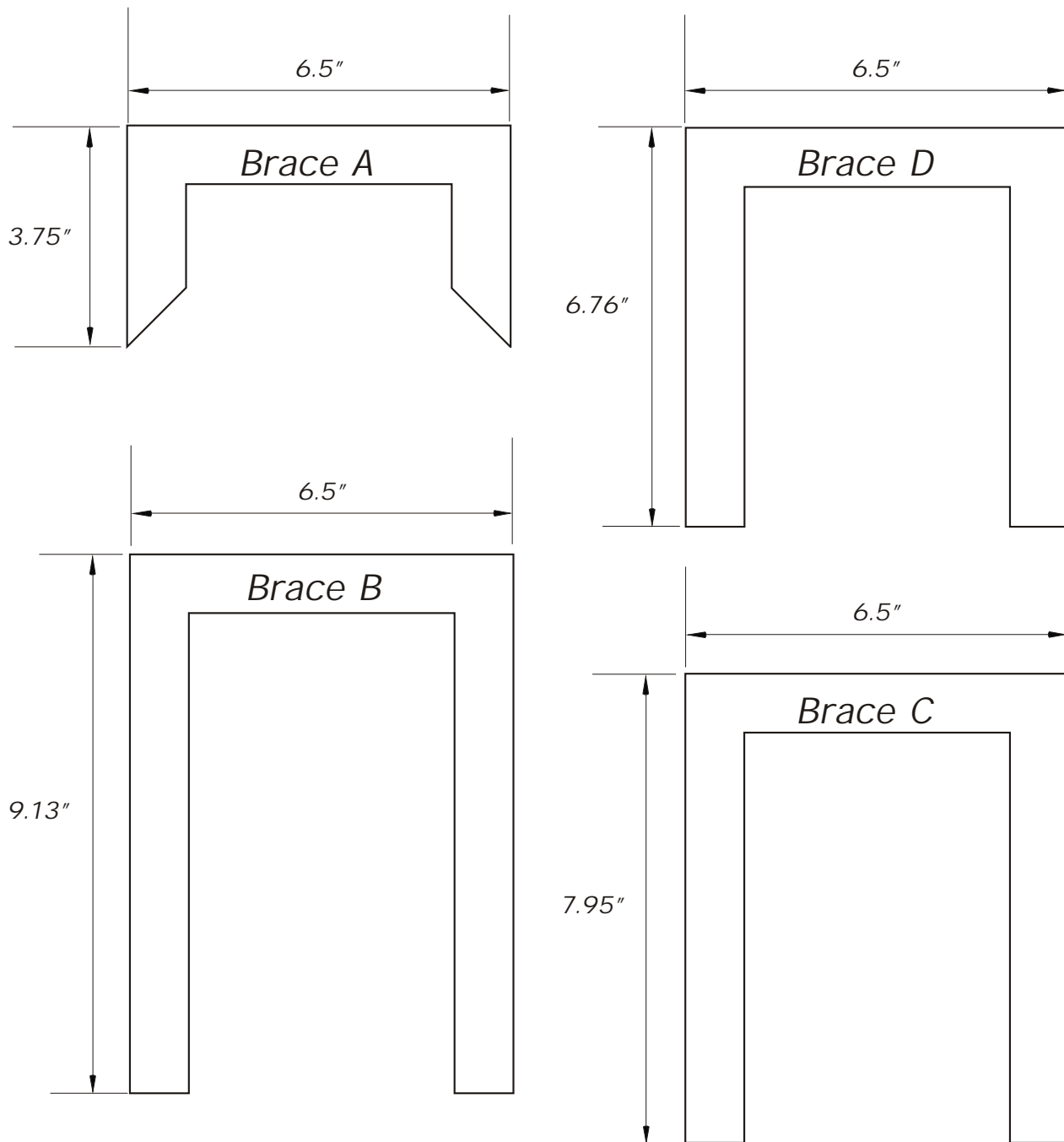
Right Speaker



Left Speaker



Top cavity braces



All of these braces are to be cut so that they are 1" thick. Brace B, C, and D have 20 degree angle cuts on the end with the section cut out of it (the bottom edge as shown). The measurement for the length is on the long side.