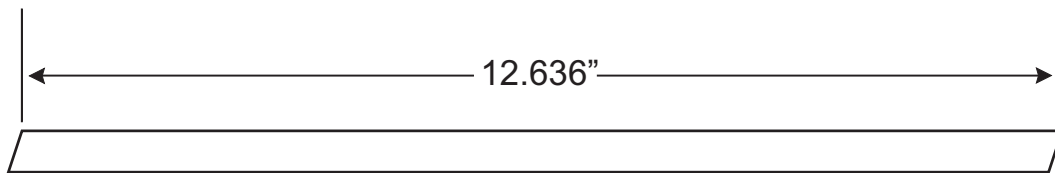
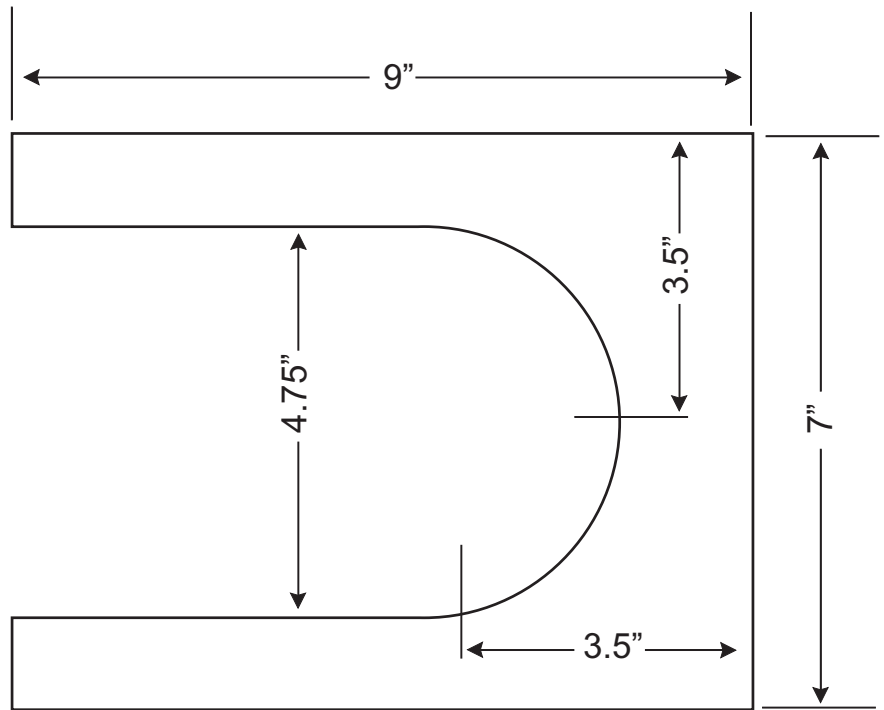


Side panels are 14.75" deep and 17.25" tall.

The bottom, back, brace, and dividers are all capped off by the side panels.

Diagonal divider 12.636" by 7" cut at 18.25 degree angles on each end
 Divider between drivers 2" by 7"
 Bottoms 14" by 7"
 Backs 17.25" by 7"
 Brace 9" by 7"
 Sides 17.25" by 14.75"

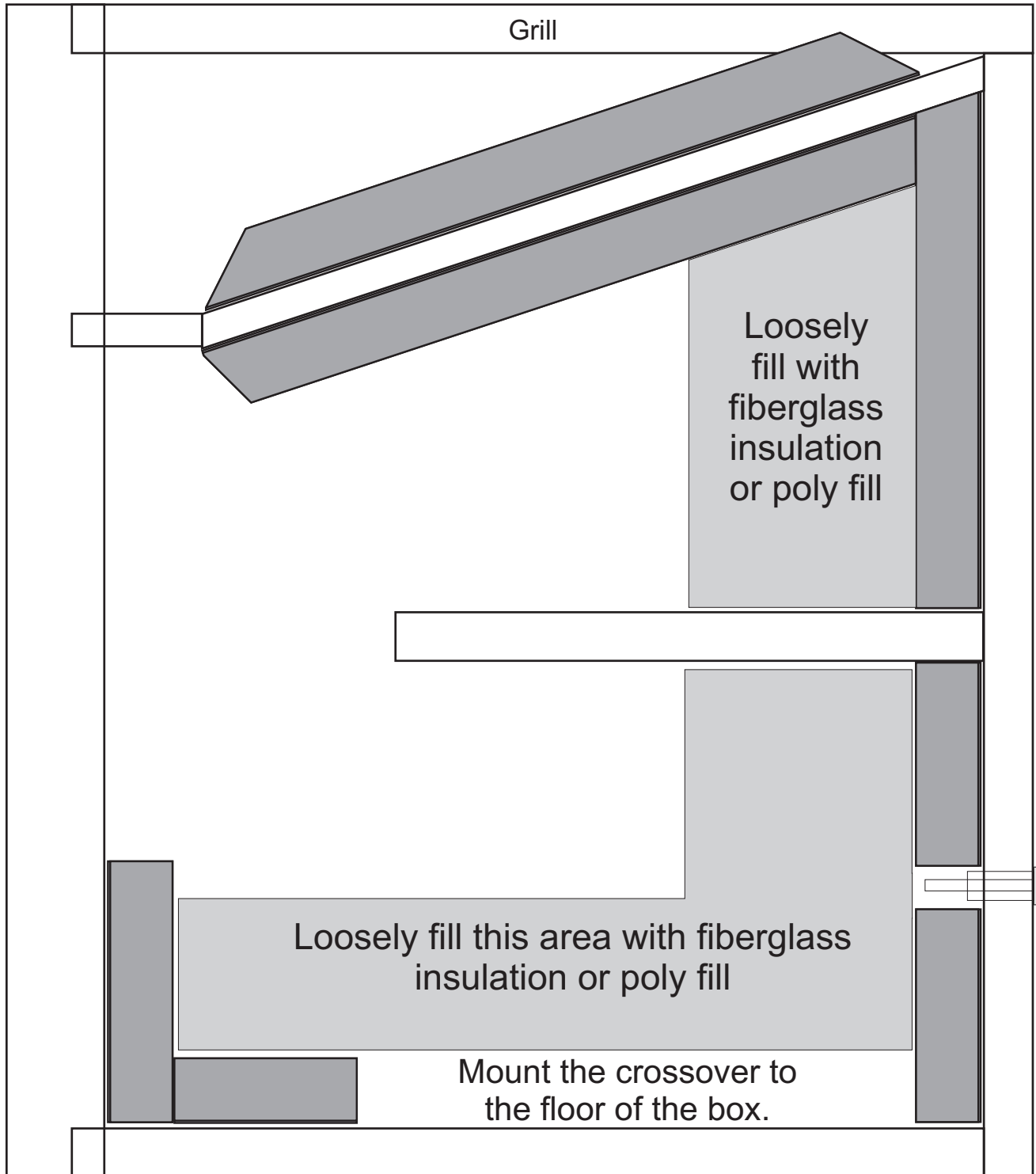


Diagonal divider

Grill frame

Outside measurements are 14.75" by 8.5"
 Inside measurements are 13.25" by 7"
 Outside measurements can be reduced
 by the thickness of the grill cloth material.

Placement of the No Rez



And line both sides of the box with No Rez