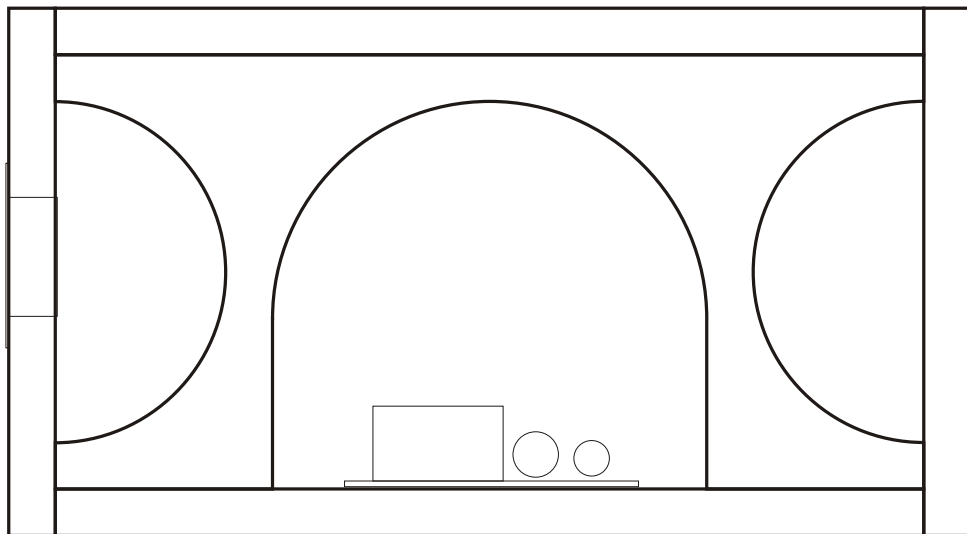
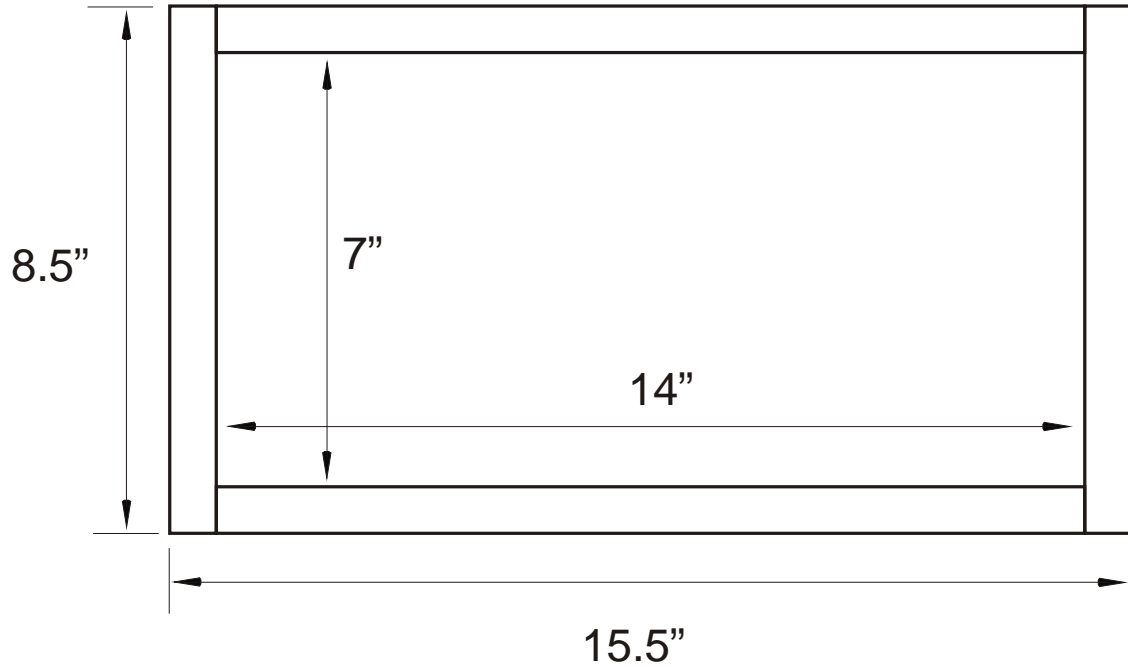


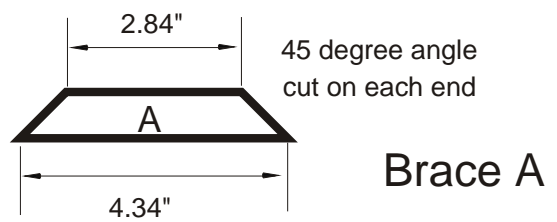
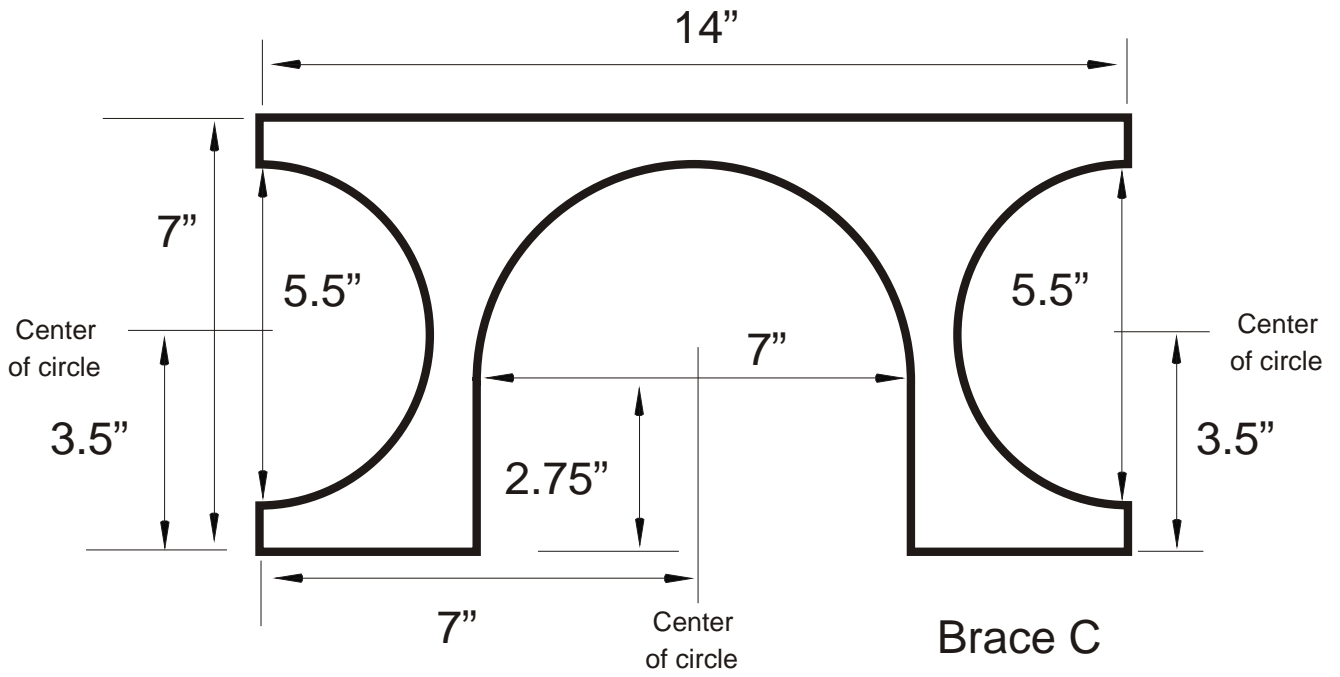
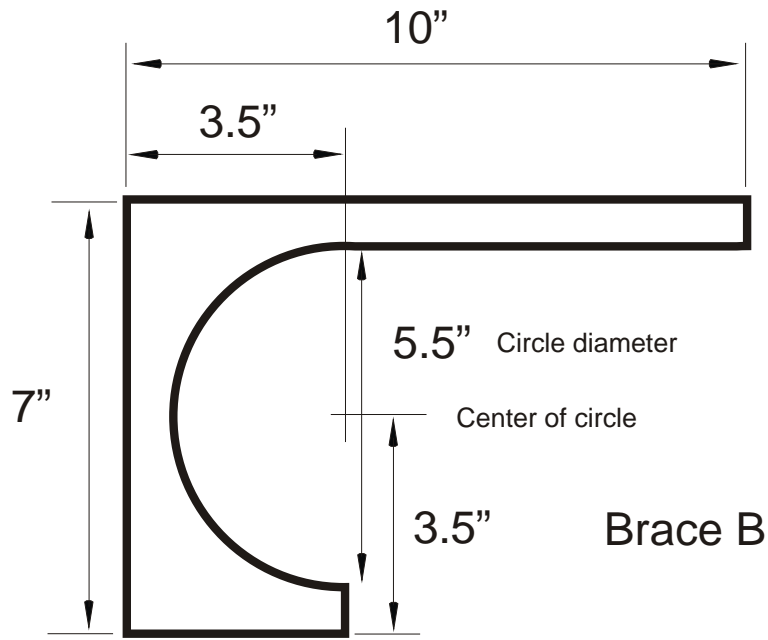


### Side View



Side view of center brace C showing location of the crossover and binding post cup.

Center the binding post cup in the center of the back panel. There are NO ports.



These are mounted from the center of the sides to the center of the top and from the center of the sides to the center of the bottom, just like in the smaller X-LS model. They are diagonal braces.