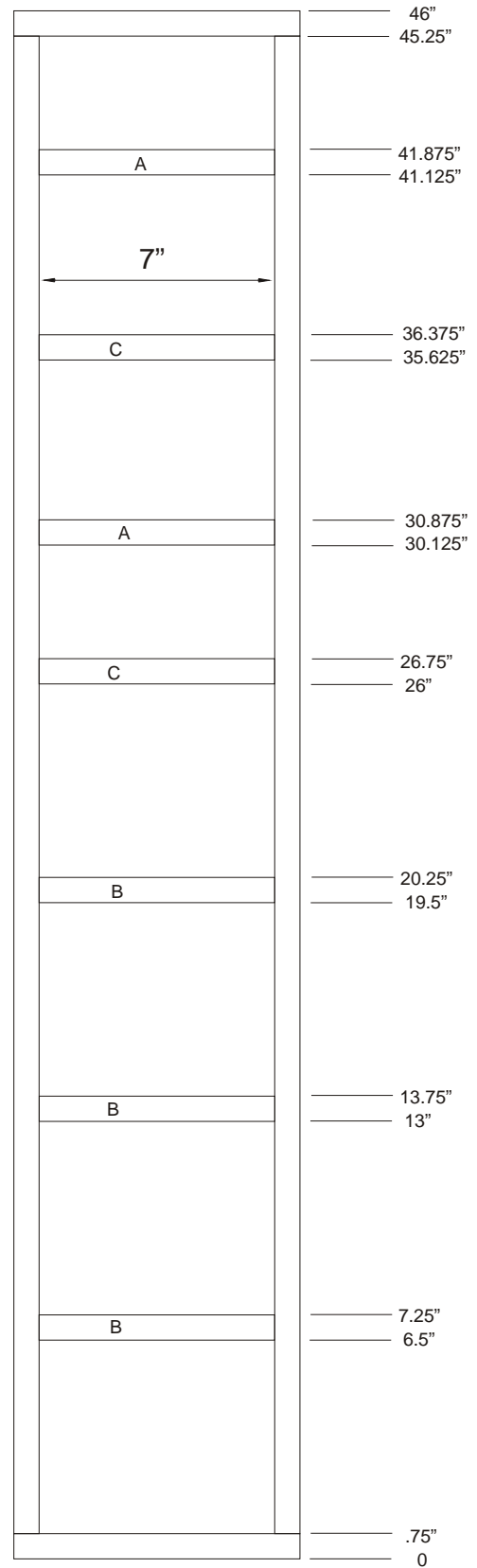
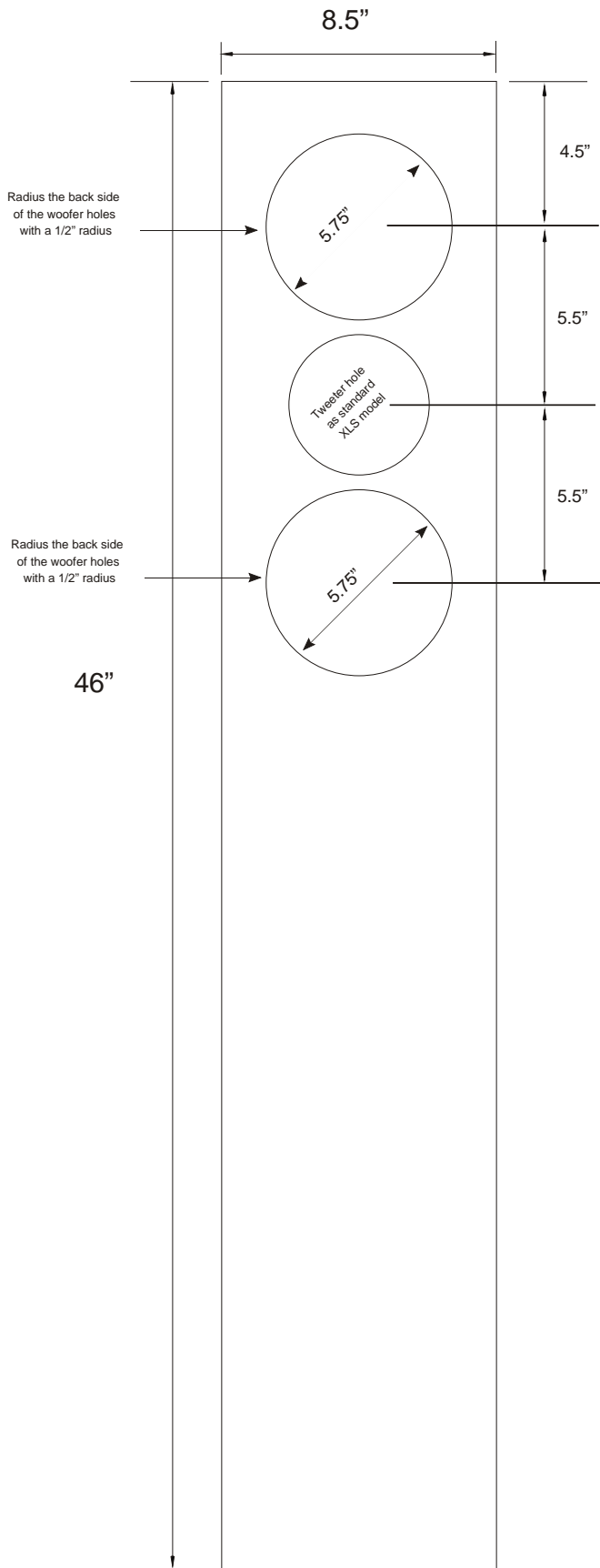
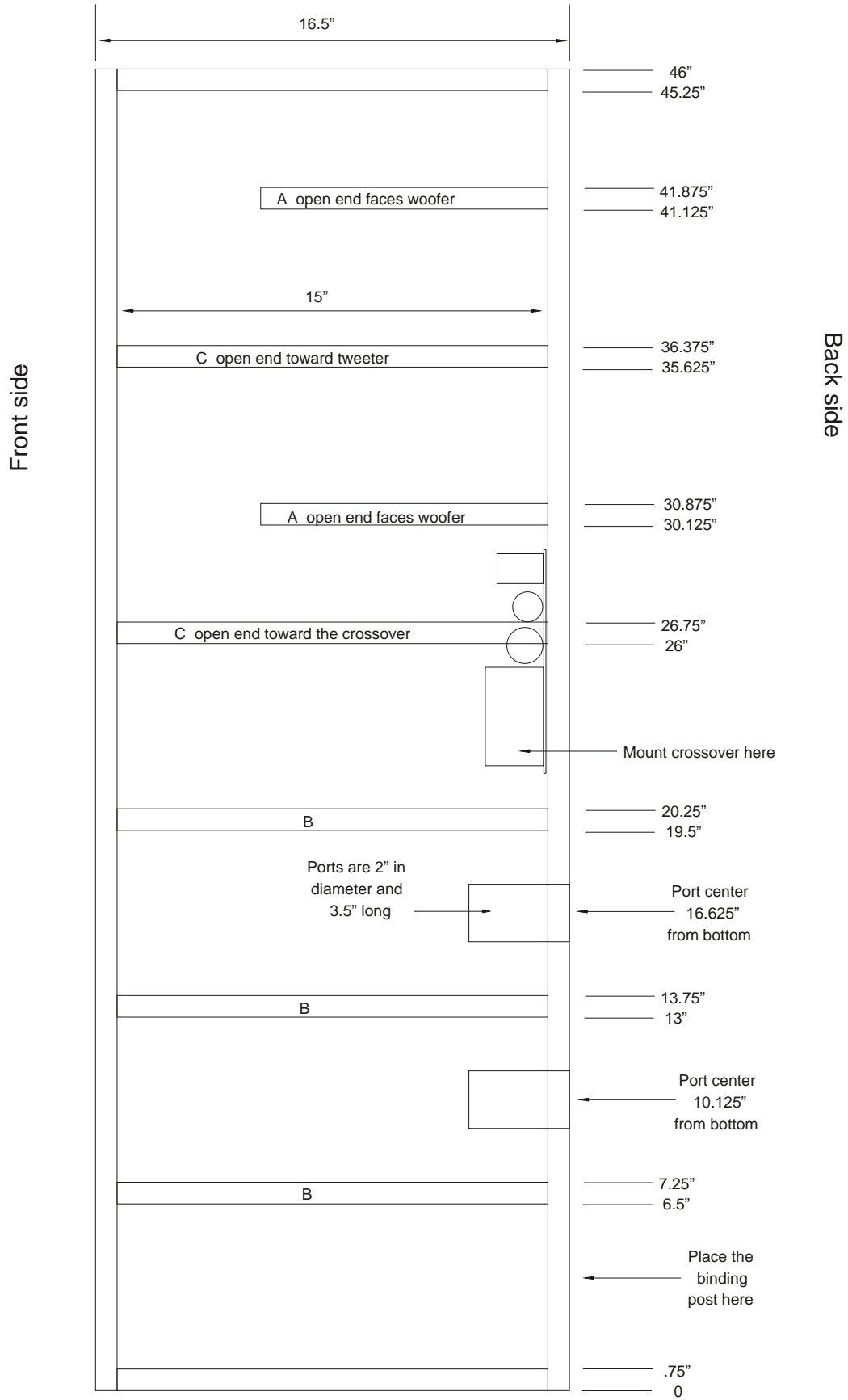


# Front baffle and front view of braces

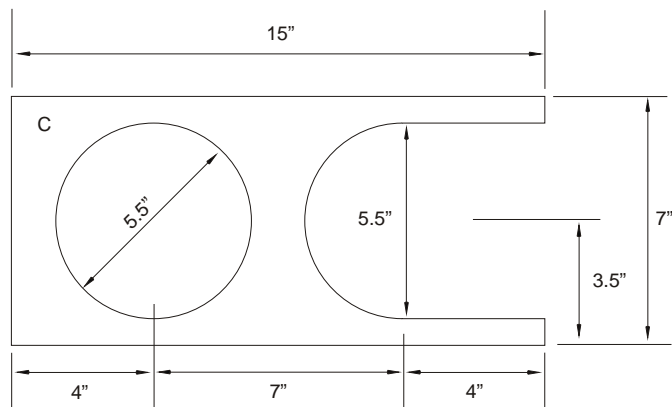
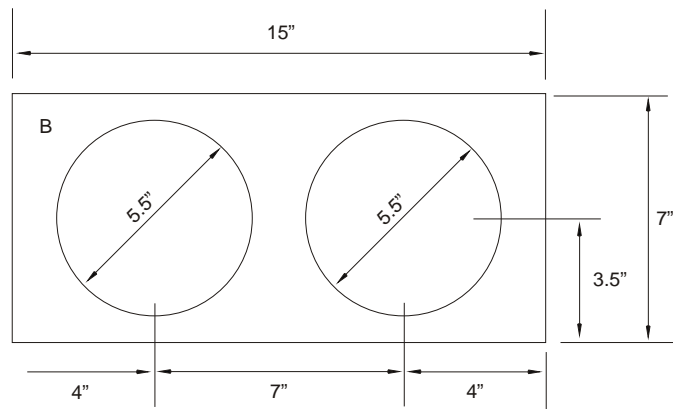
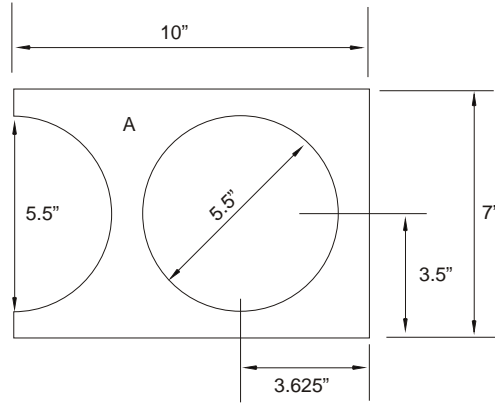


# Side view



# Braces

Put a small radius on all the inner edges of all of the braces



Add a wide profile base to make it stable and add floor spikes in the outer corners.