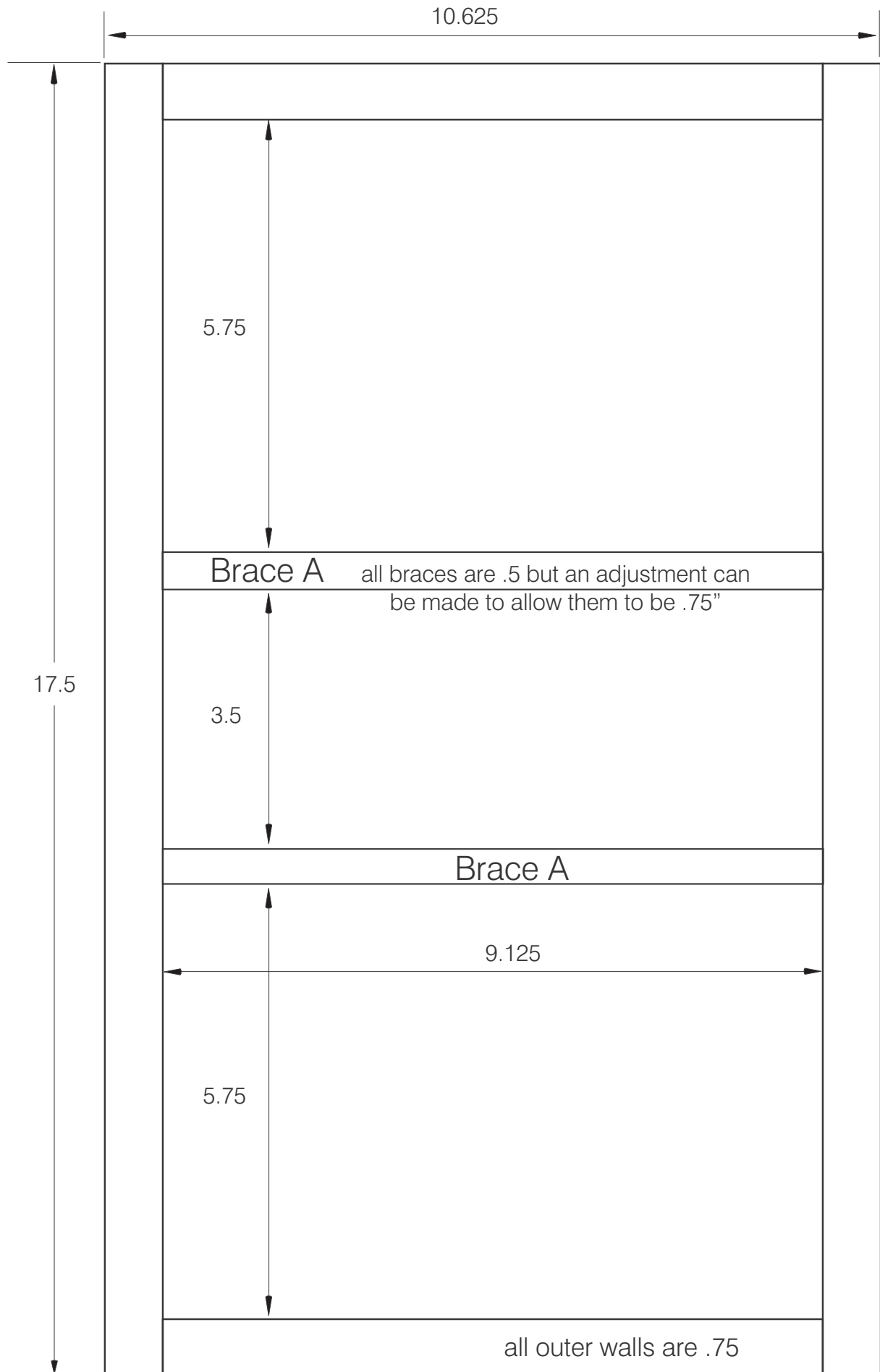
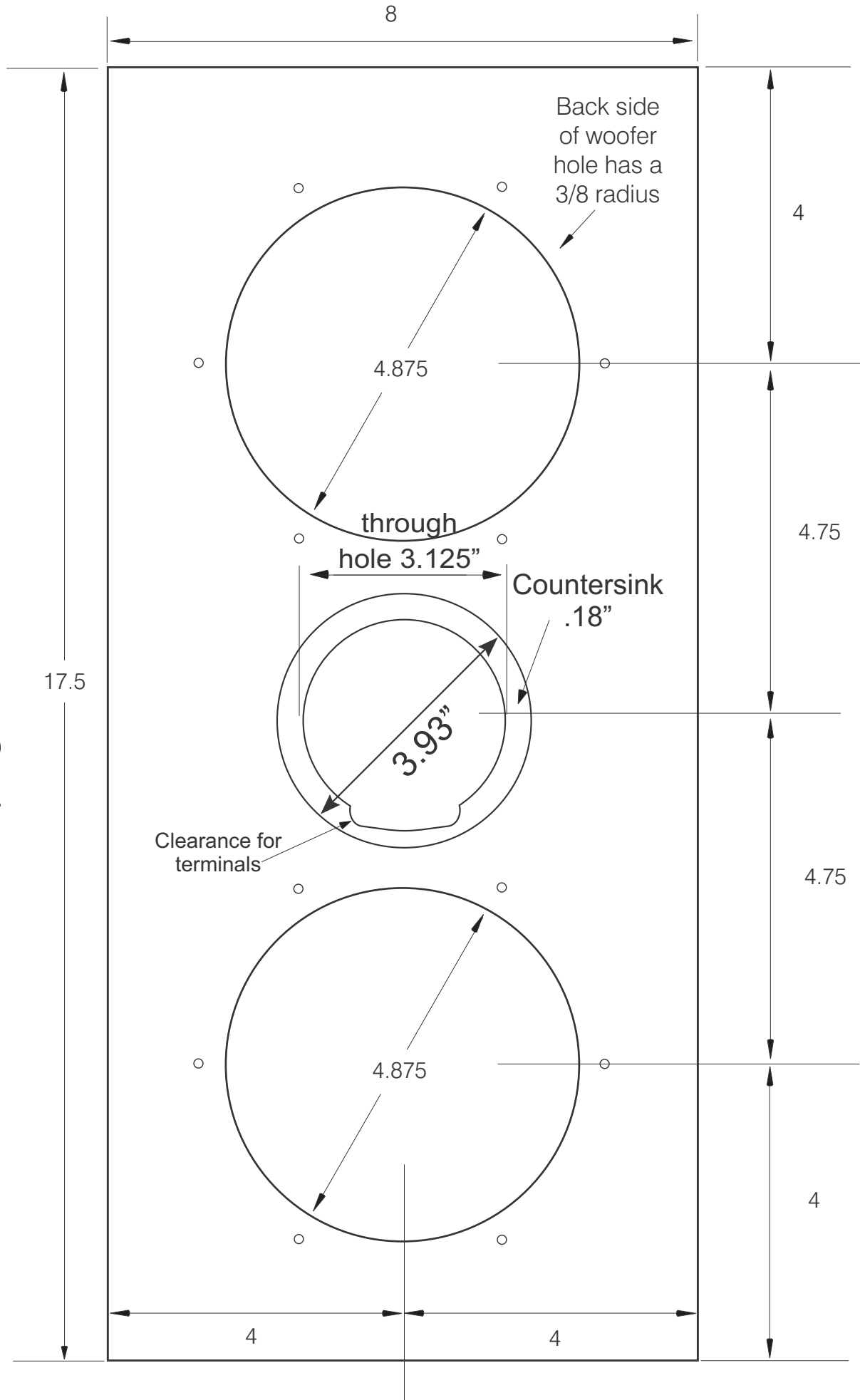
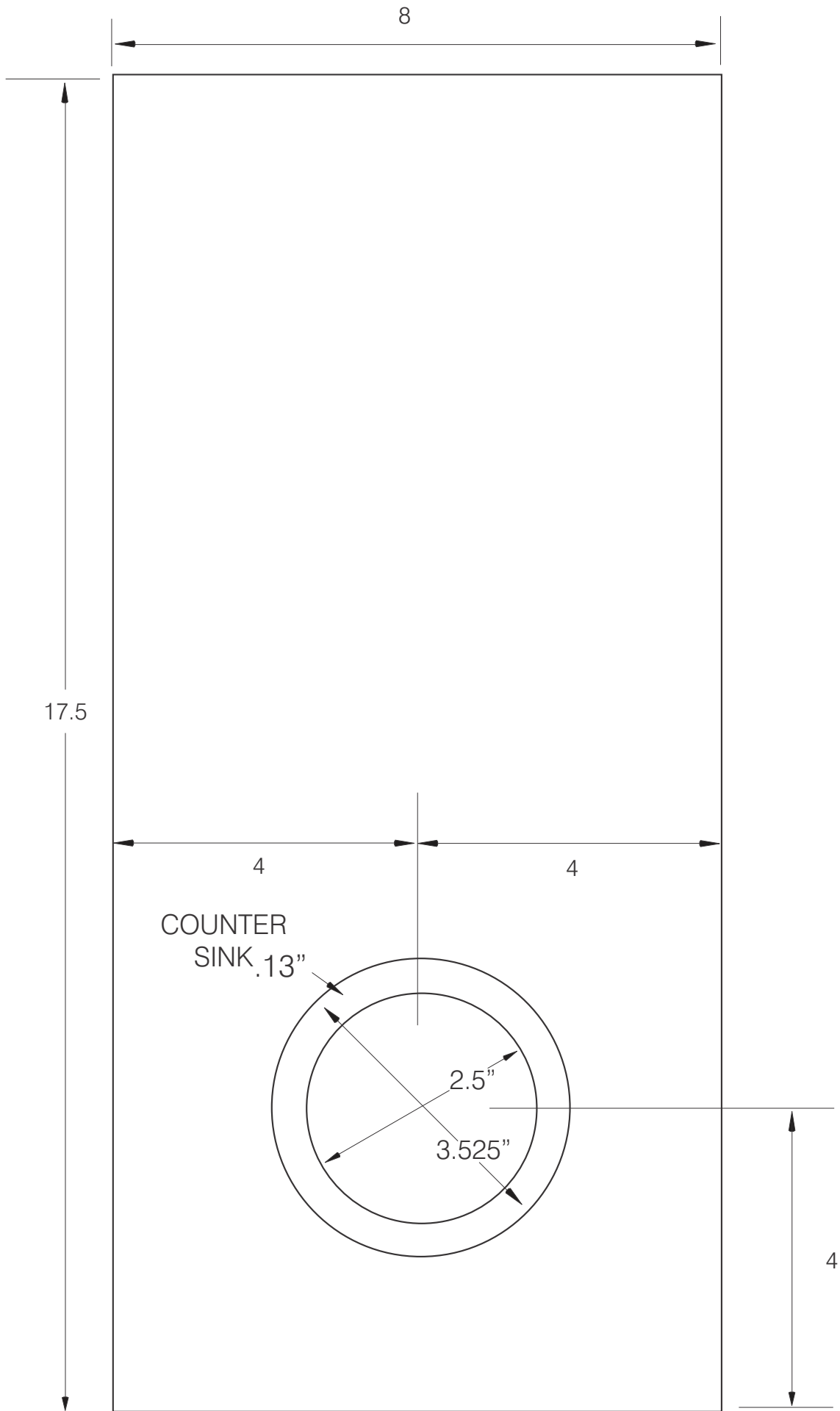


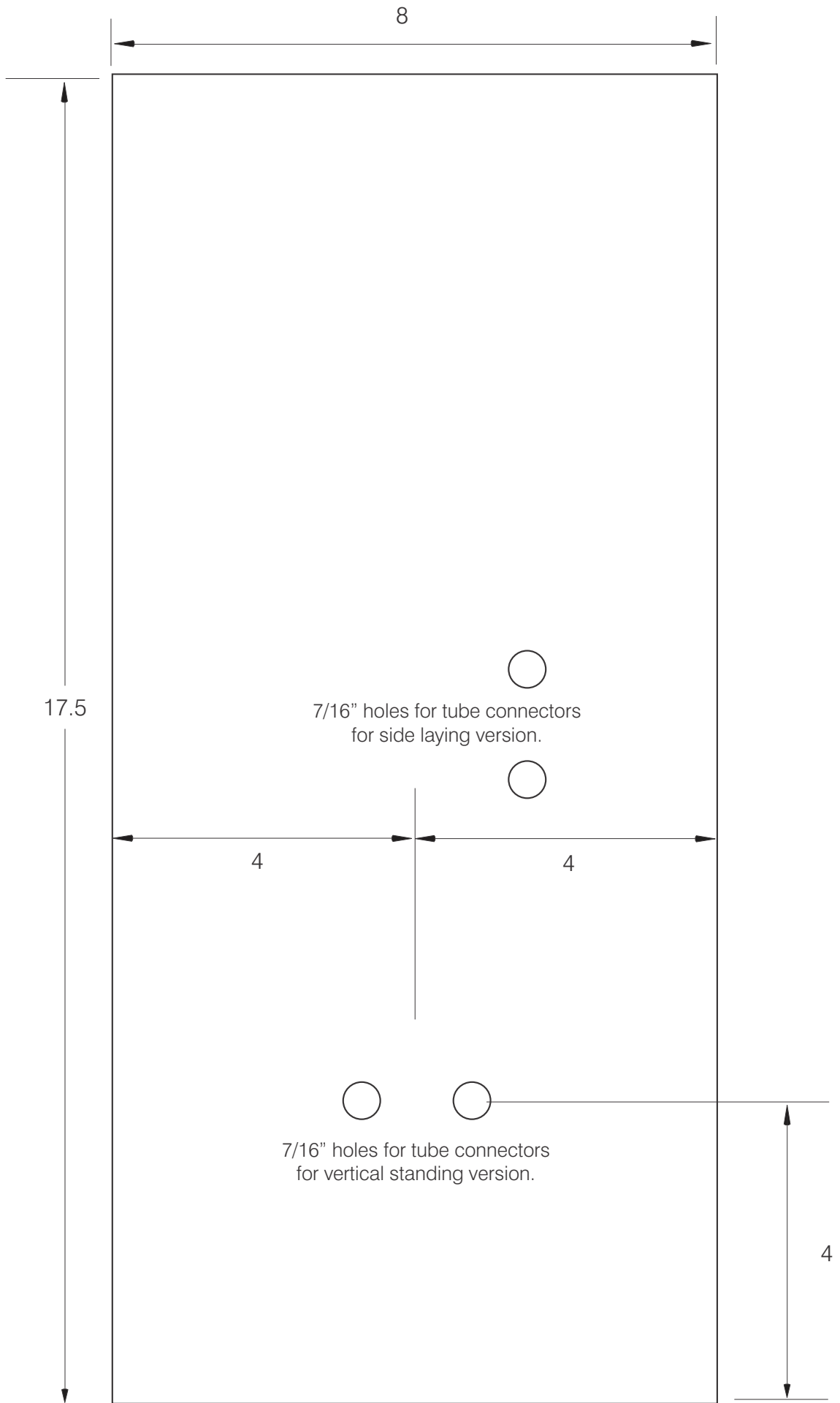
Fill the upper and lower sections with a block of fiberglass insulation staying about an inch away from the back of the woofers. If using No Rez cover all of the exterior walls with it.

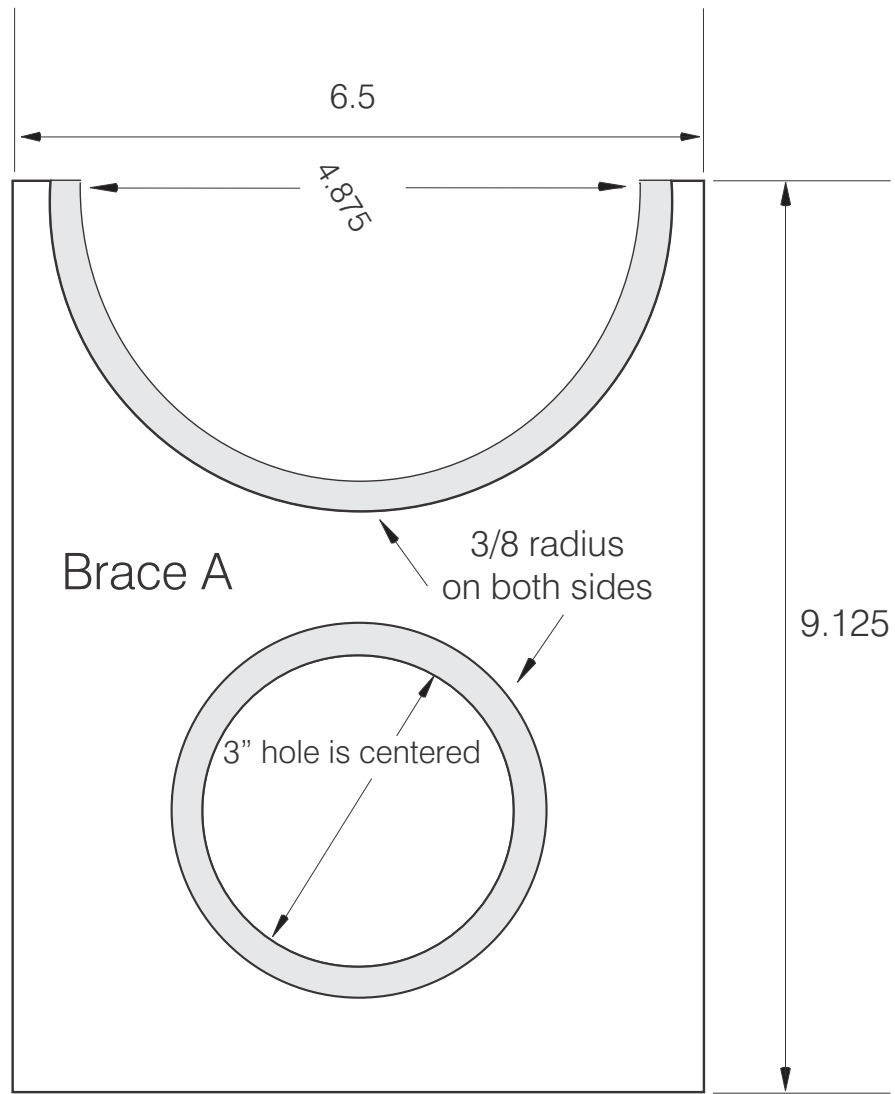


upright version









Bond network components to the enclosure and/or bracing using liquid nails or equivalent.