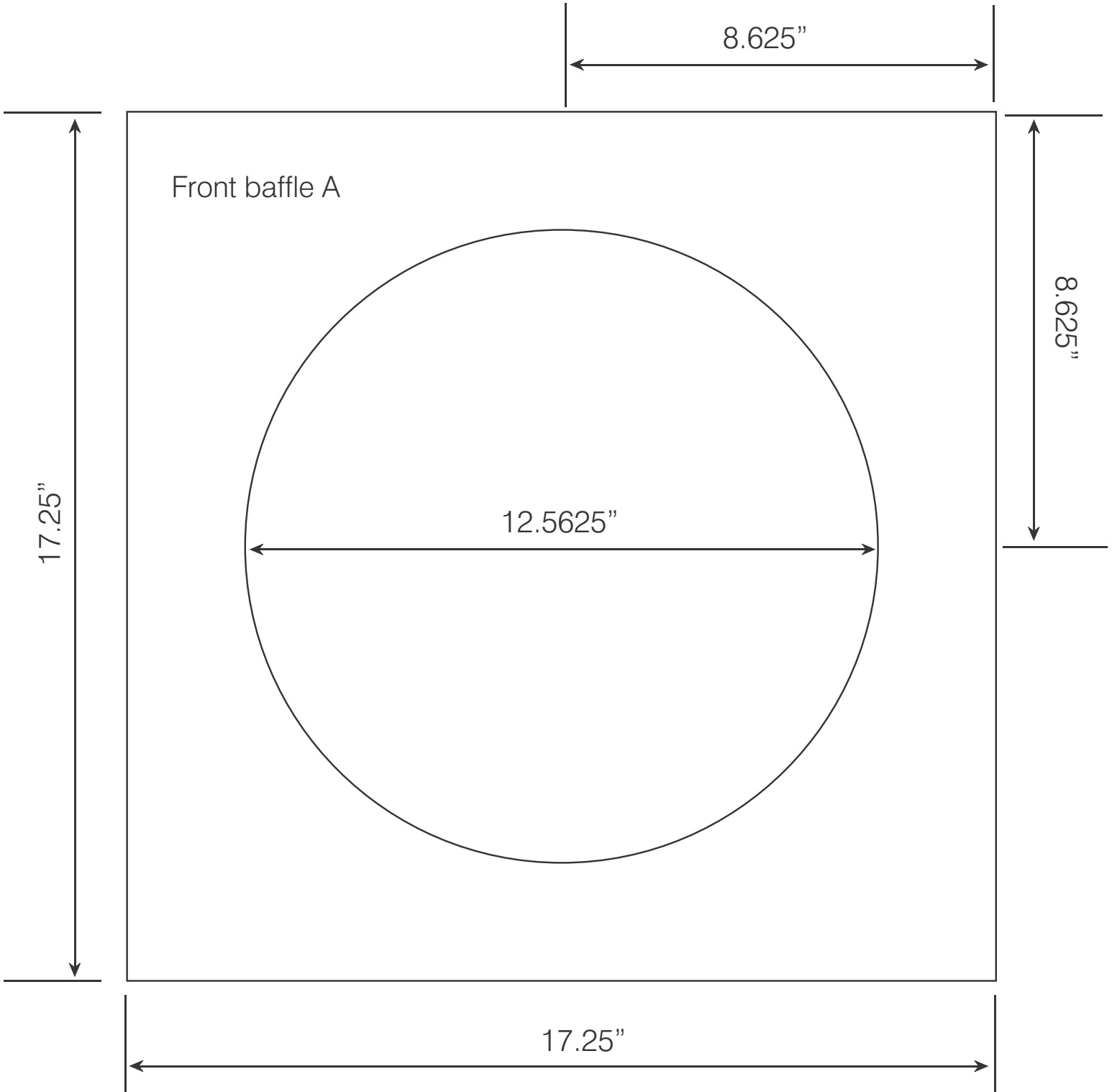
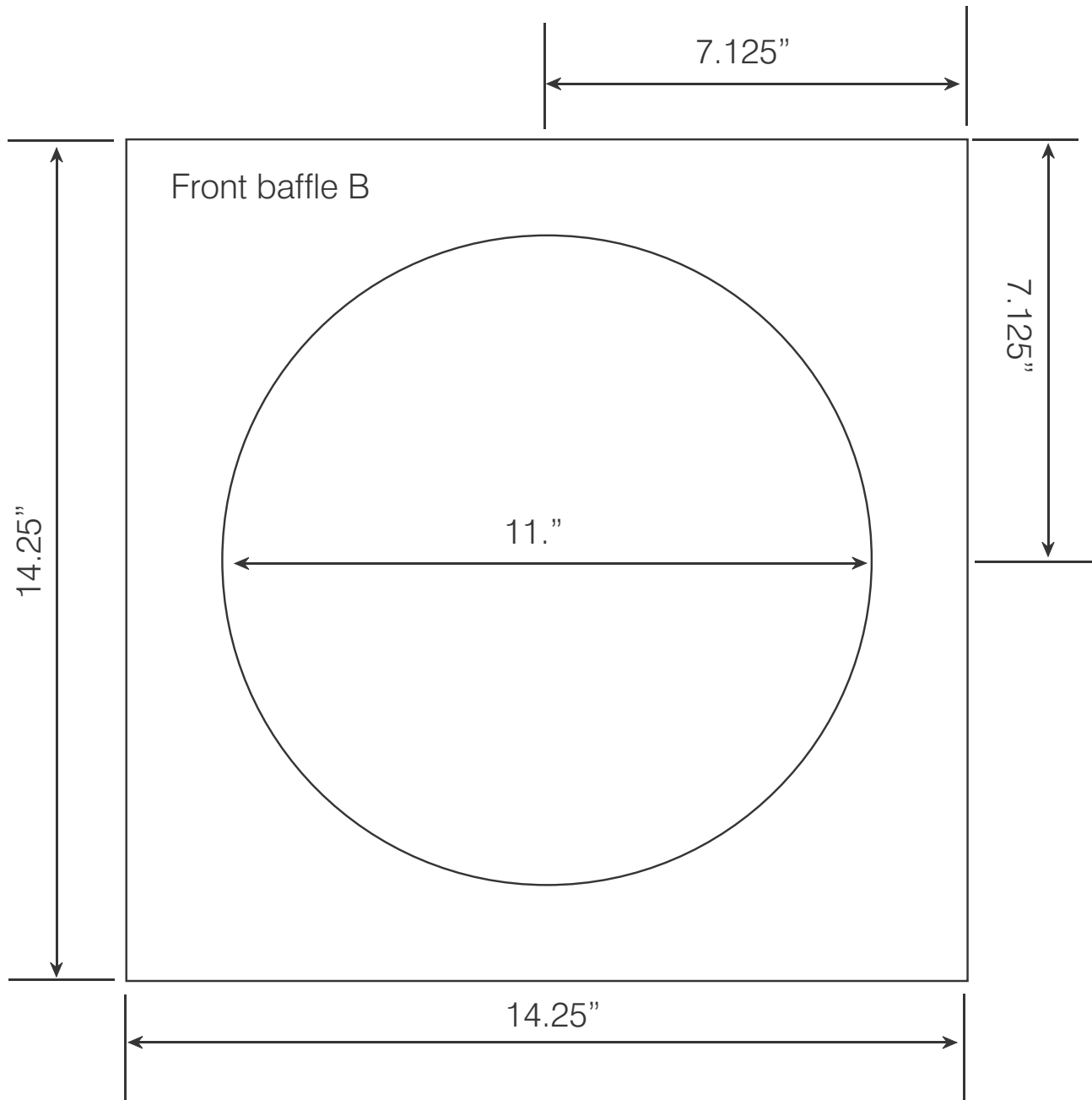
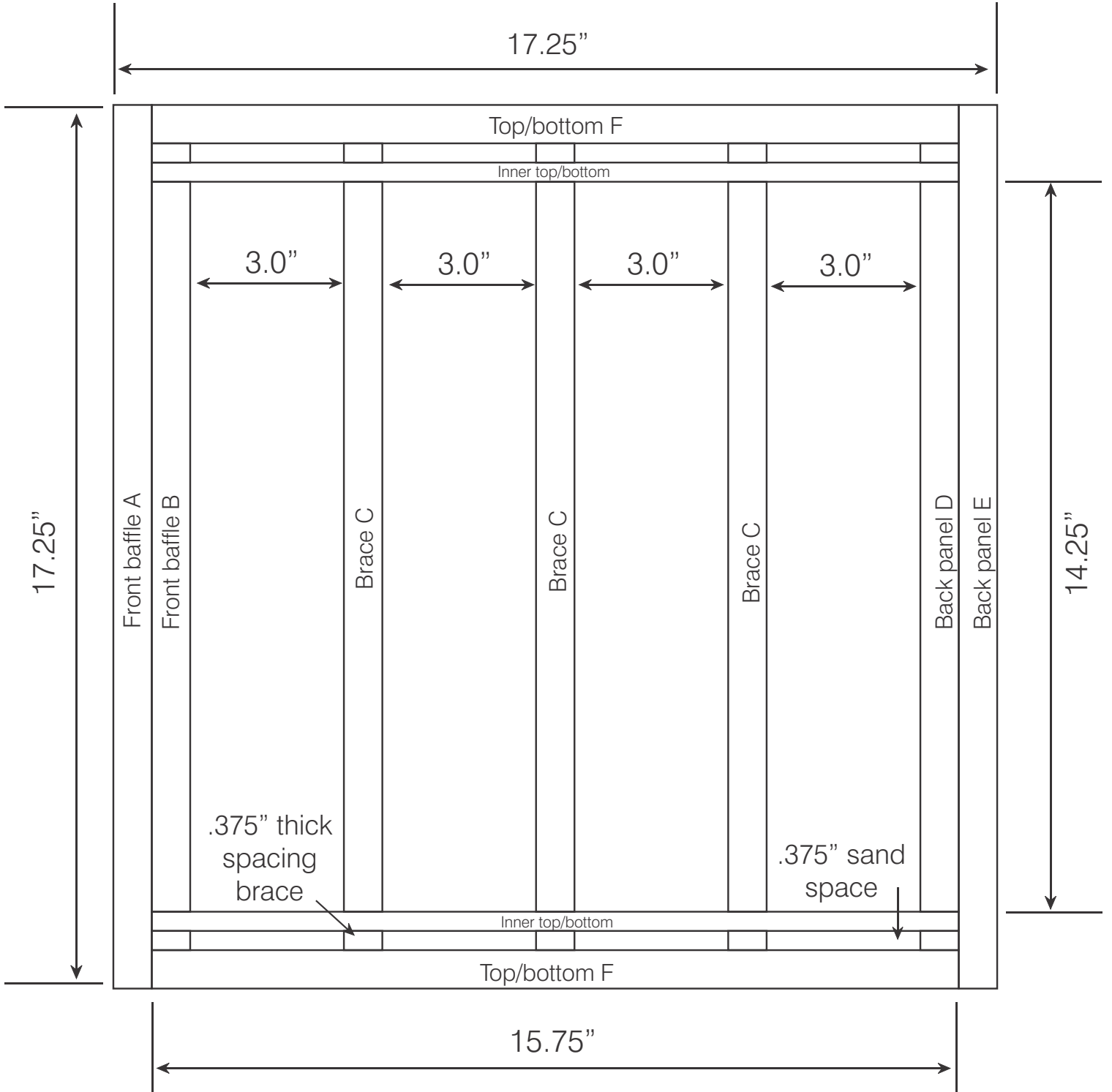
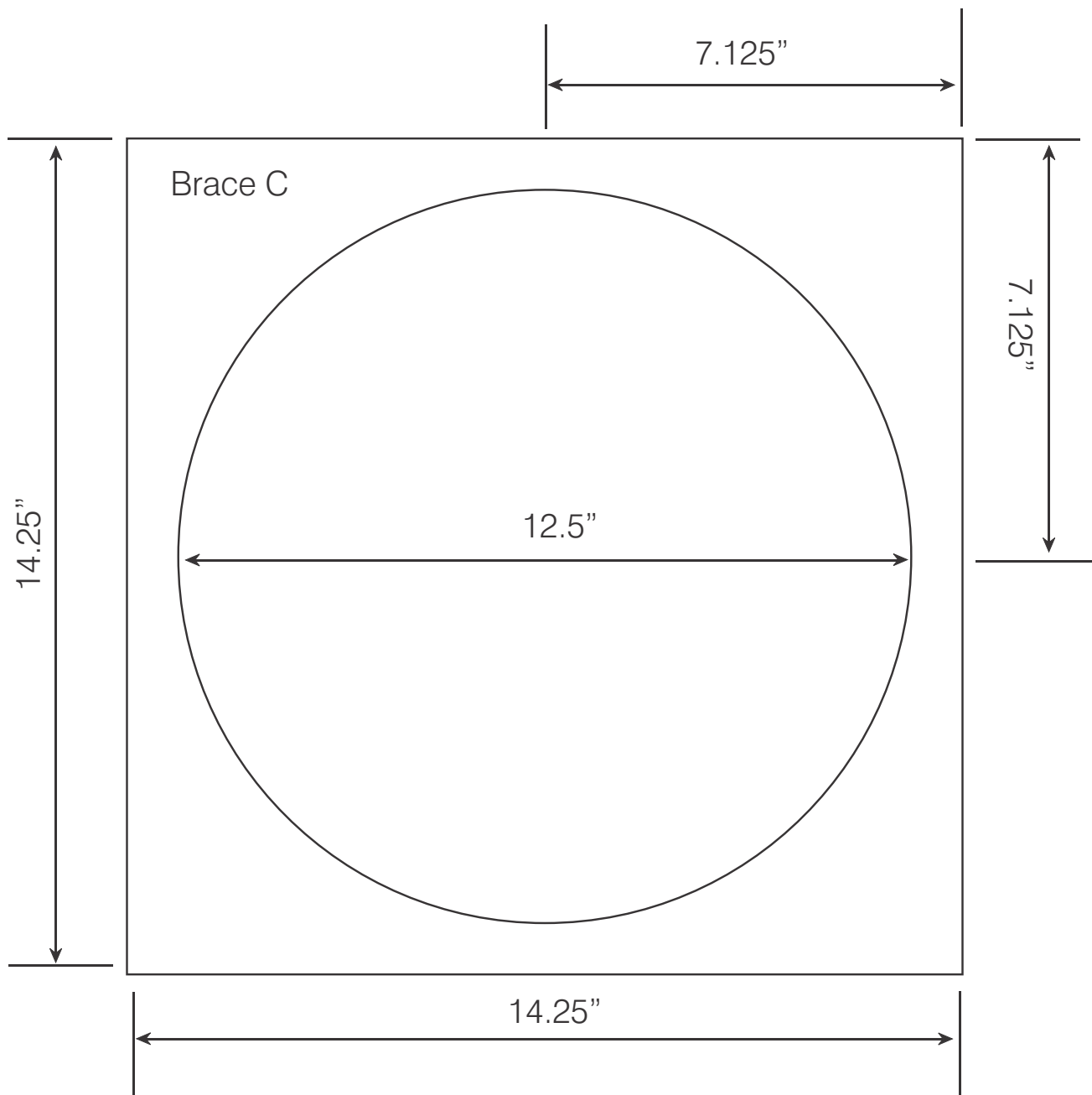


# The Sand Box for a single SW-12-04









### Cut List

- 1) Front baffle A - 3/4" MDF: 17.25" by 17.25"
- 1) Front baffle B - 3/4" MDF: 14.25" by 14.25"
- 3) Brace C - 3/4" MDF: 14.25" by 14.25"
- 1) Back panel D - 3/4" MDF: 14.25" by 14.25"
- 1) Back panel E - 3/4" MDF: 17.25" by 17.25"
- 2) Inner top/bottom - 3/8" MDF: 15" by 15.75"
- 2) Inner sides - 3/8" MDF: 14.25" by 15.75"
- 10) Spacing braces for top/bottom - 3/8" MDF 3/4" by 15.75"
- 10) Spacing braces for sides - 3/8" MDF: 3/4" by 15"
- 2) Top/bottom F - 3/4" MDF: 17.25" by 15.75"
- 2) Sides G - 3/4" MDF: 15.75" by 15.75"