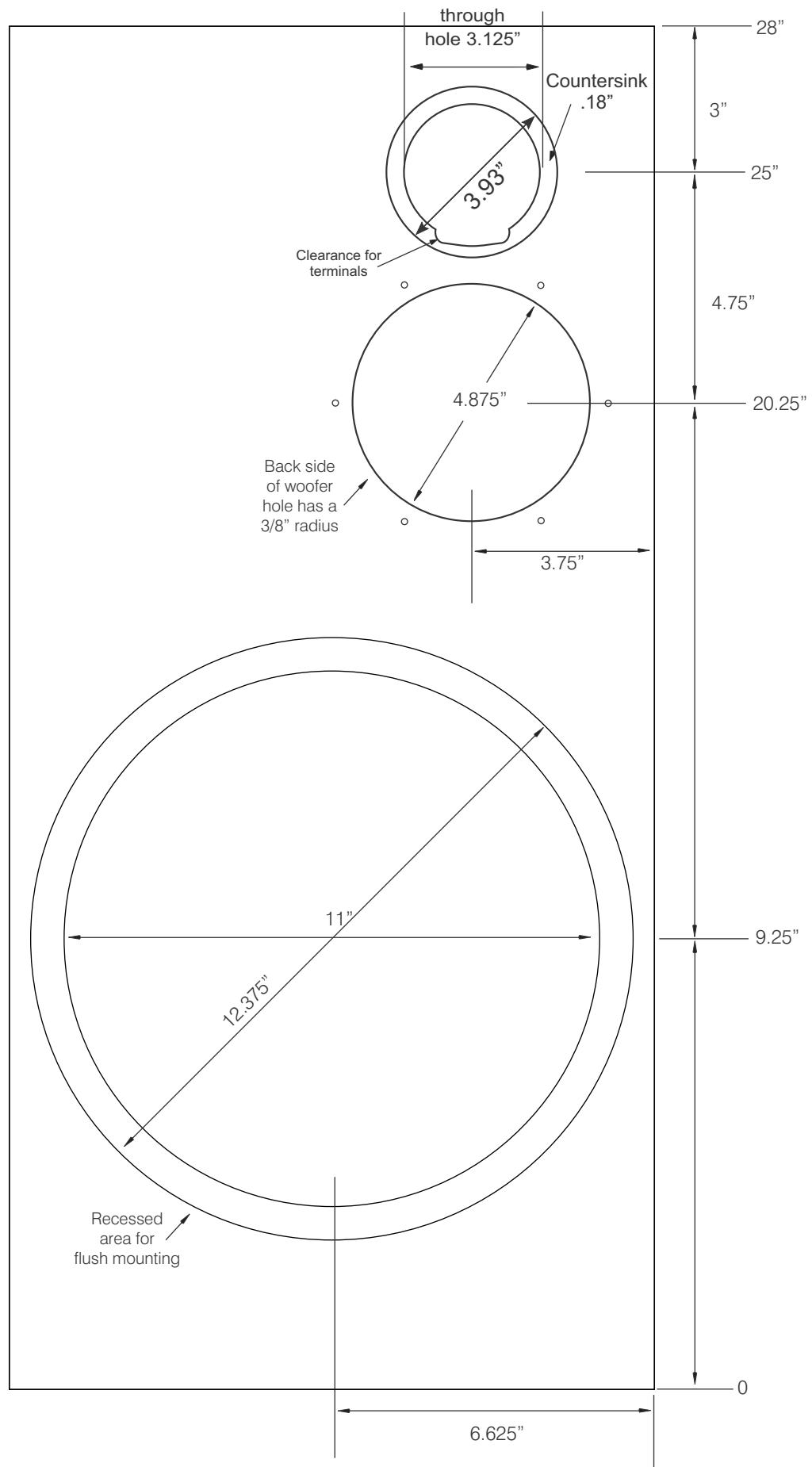
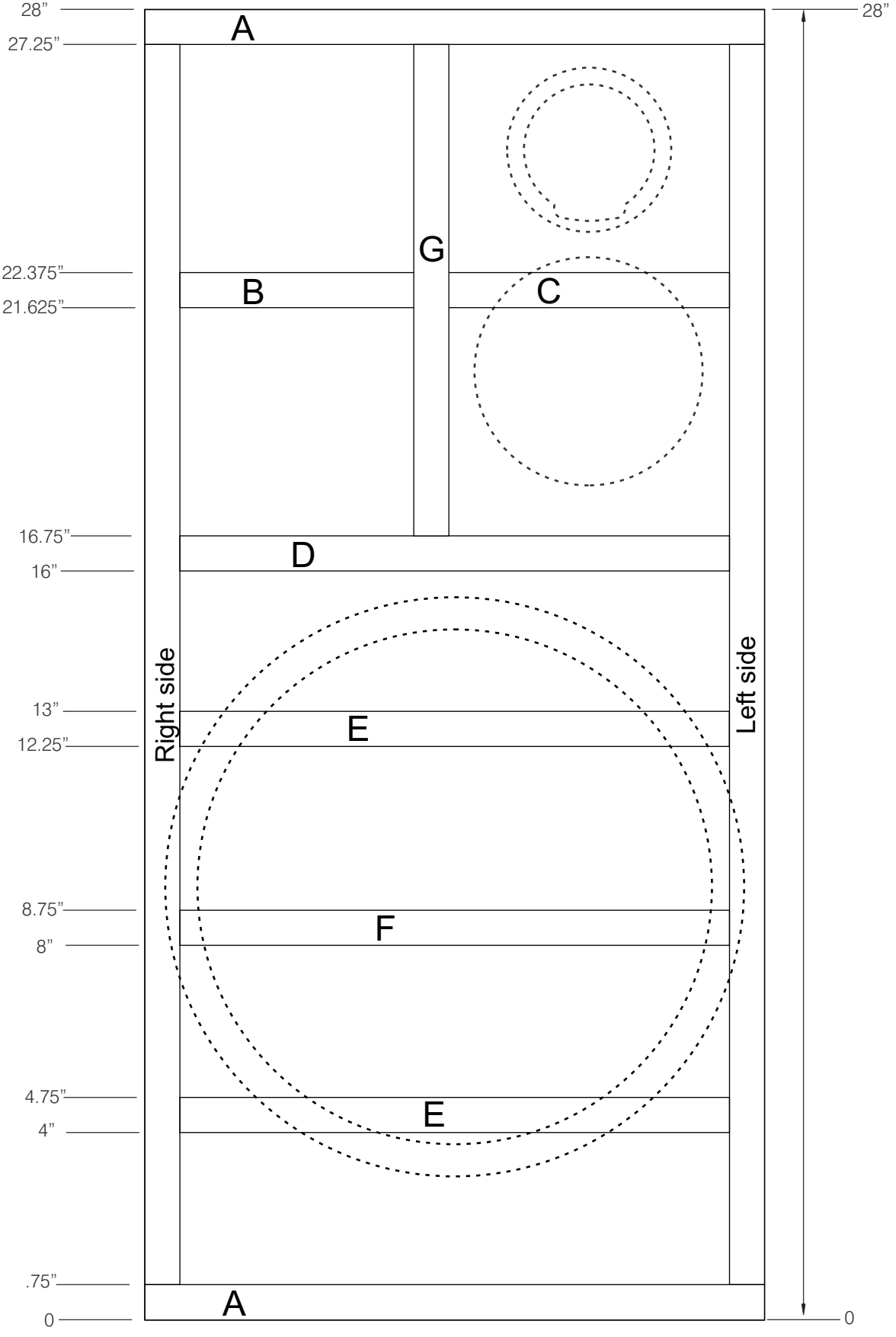
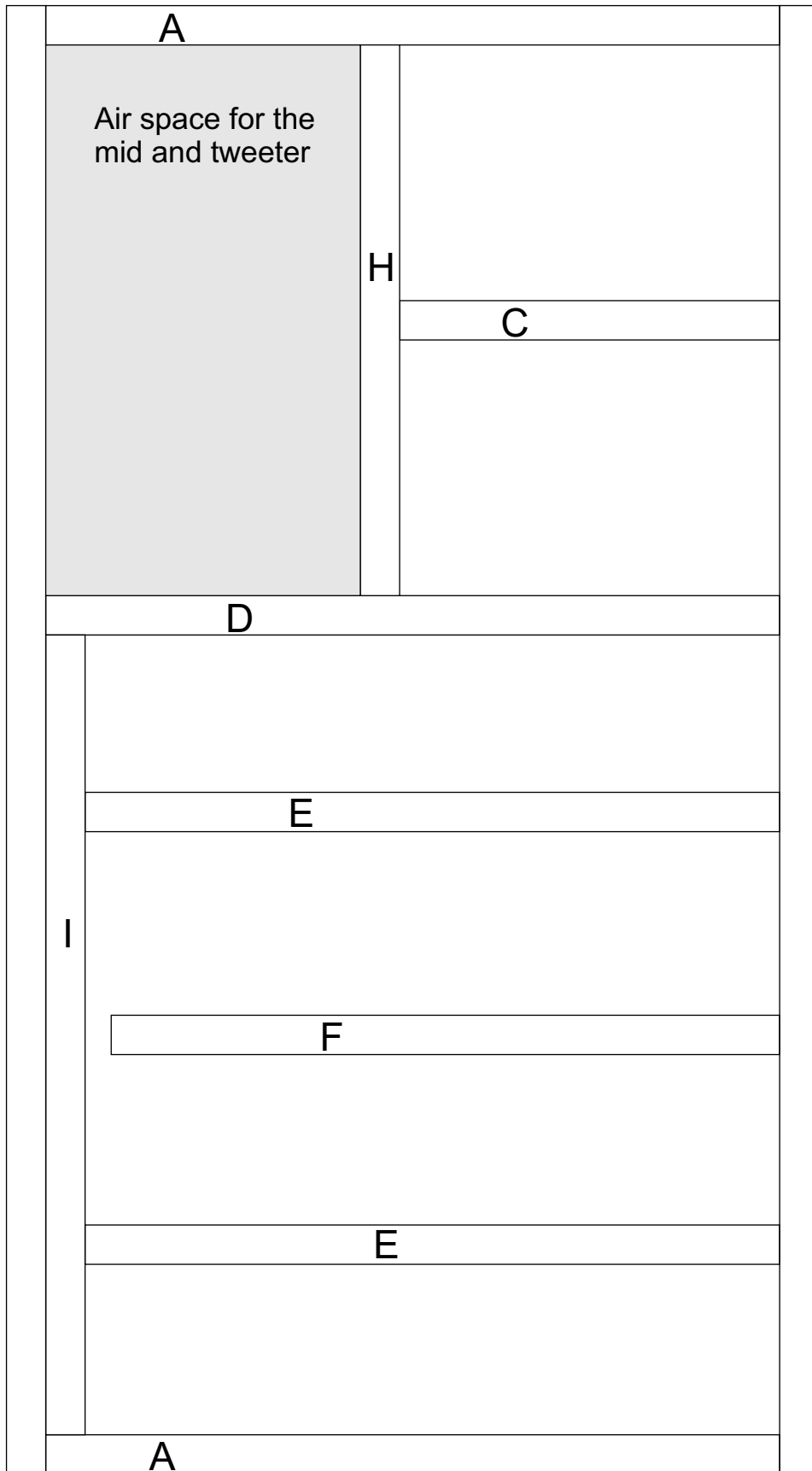


The Brute, Old School 3 way

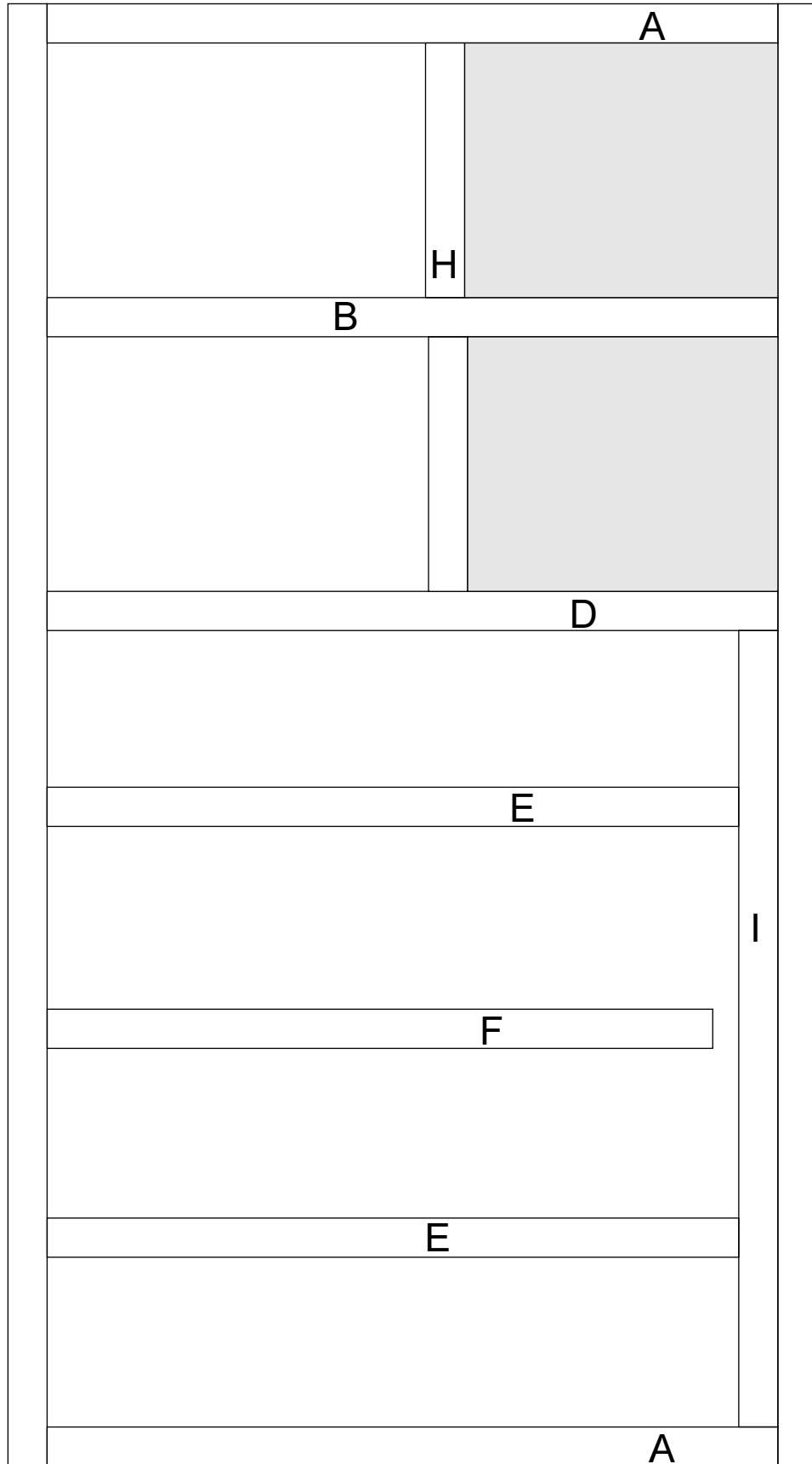




Left side



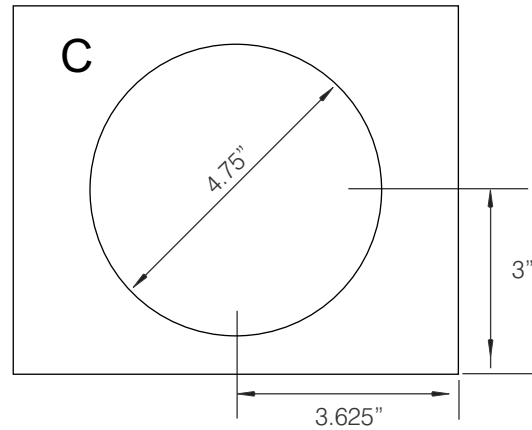
Right side



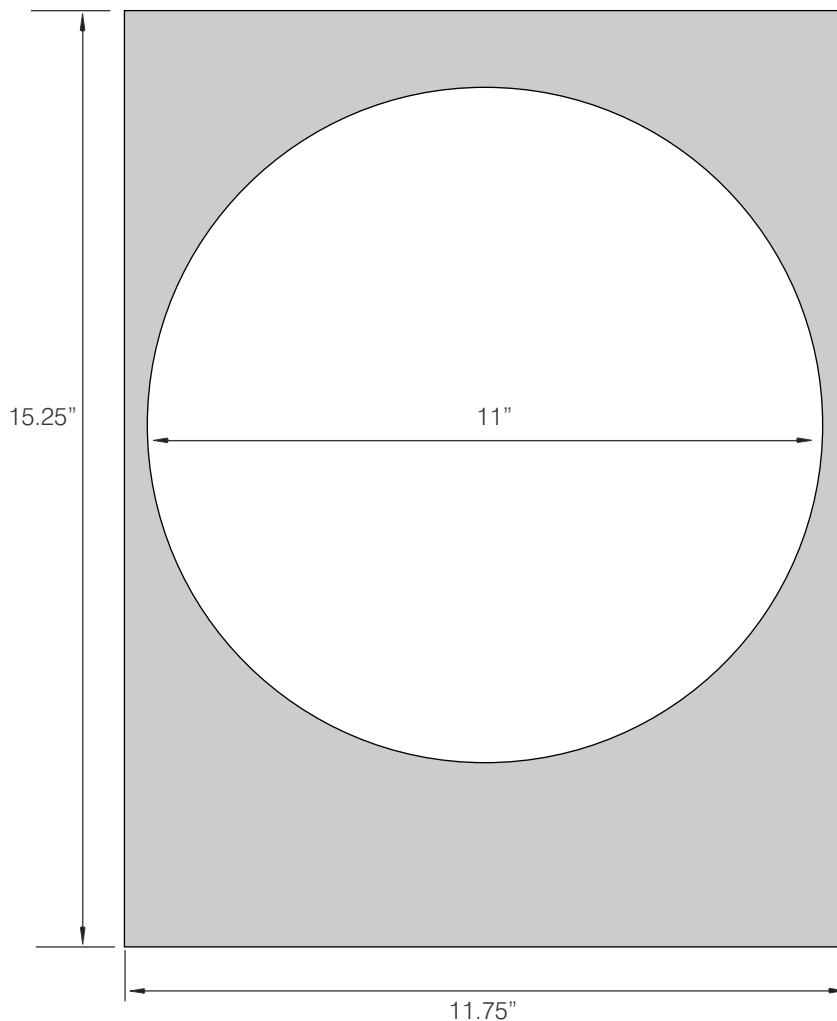
“A” is the top and bottom panel It is 13.25” wide and 14” deep. It is a solid panel.

Side panels are 26.5” tall and 14” deep.

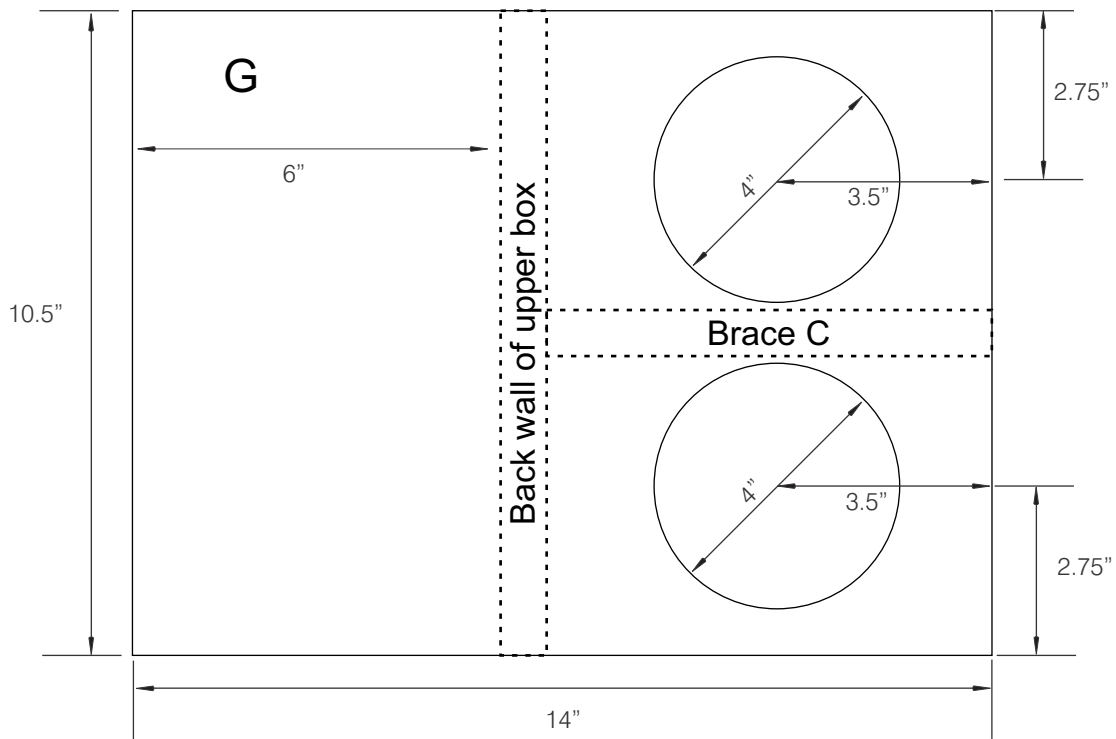
“C” is a brace that goes behind the air space for the mid and tweeter. It is 6” wide and 7.25” deep. Then center a 4.75” through hole.



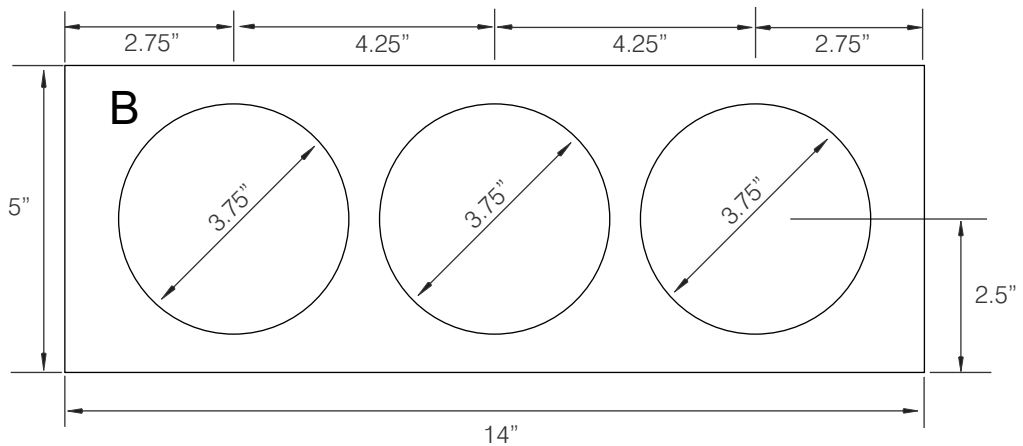
“I” is the second front baffle layer. It is 11.75” by 15.25”

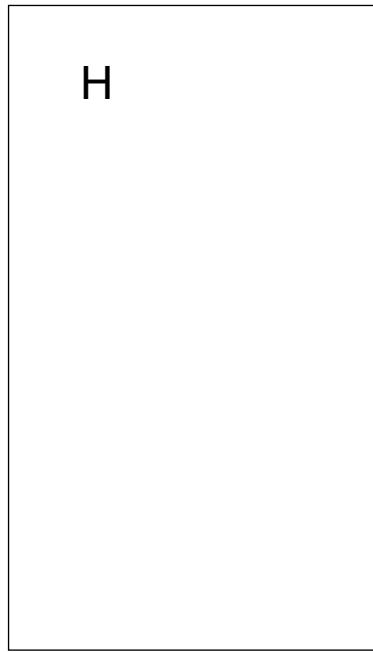


“G” is the side panel of the mid/tweeter box. It runs front to back. It is 10.5” tall and 14” deep.



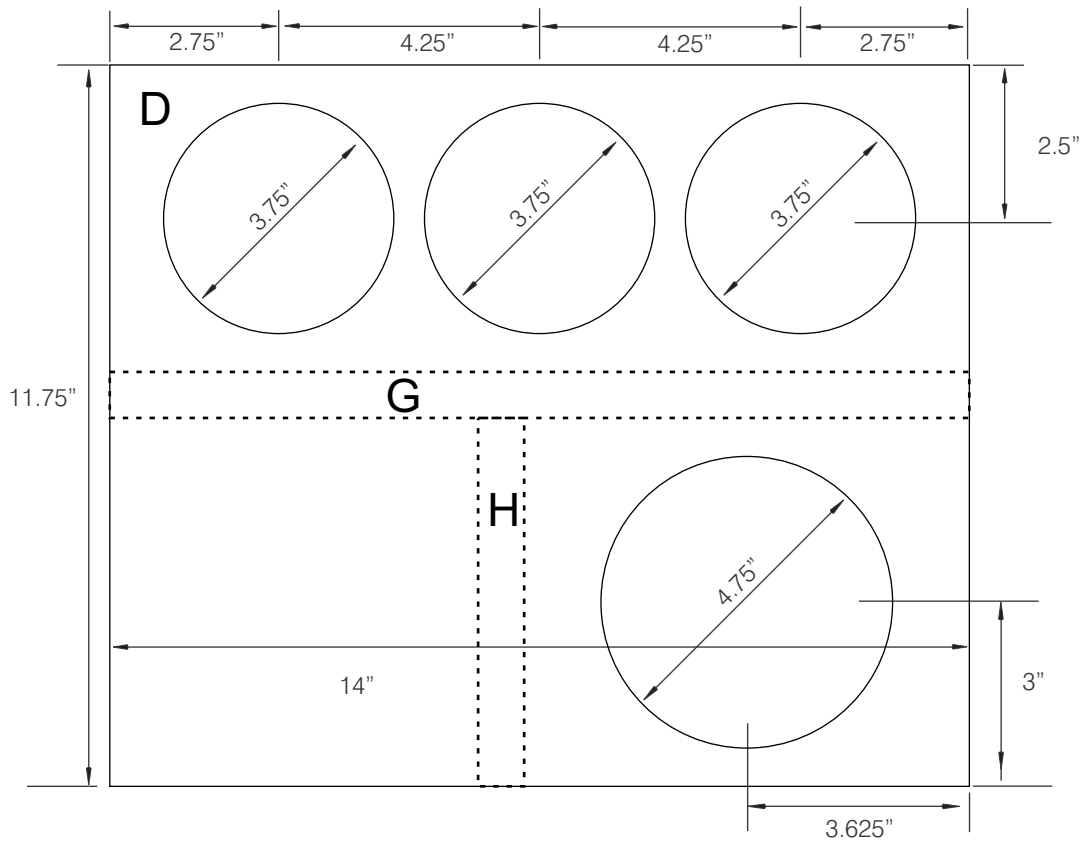
“B” brace is 5” wide and 14” deep. It braces the side of the mid/tweeter box to the side of the main box.



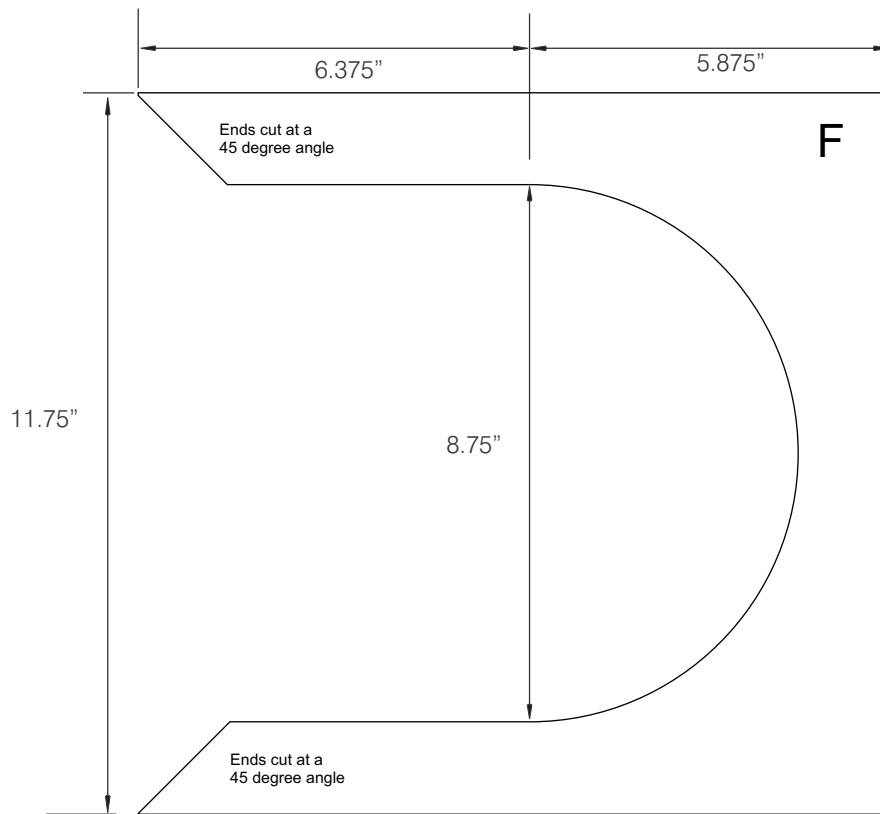


“H” is the back wall for the air space used by the mid and tweeter. It is 6” by 10.5”

“D” brace is 11.75” wide and 14” deep. It runs right under the box for the mid and tweeter.



“F” brace is 11.75” wide and 12.25” deep. There is one of these. They go right behind the woofer.



“E” brace is 11.75” wide and 13.25” deep. There are two of these. They go right behind the woofer.

