

Back panel

16"

Through hole
for the amplifier

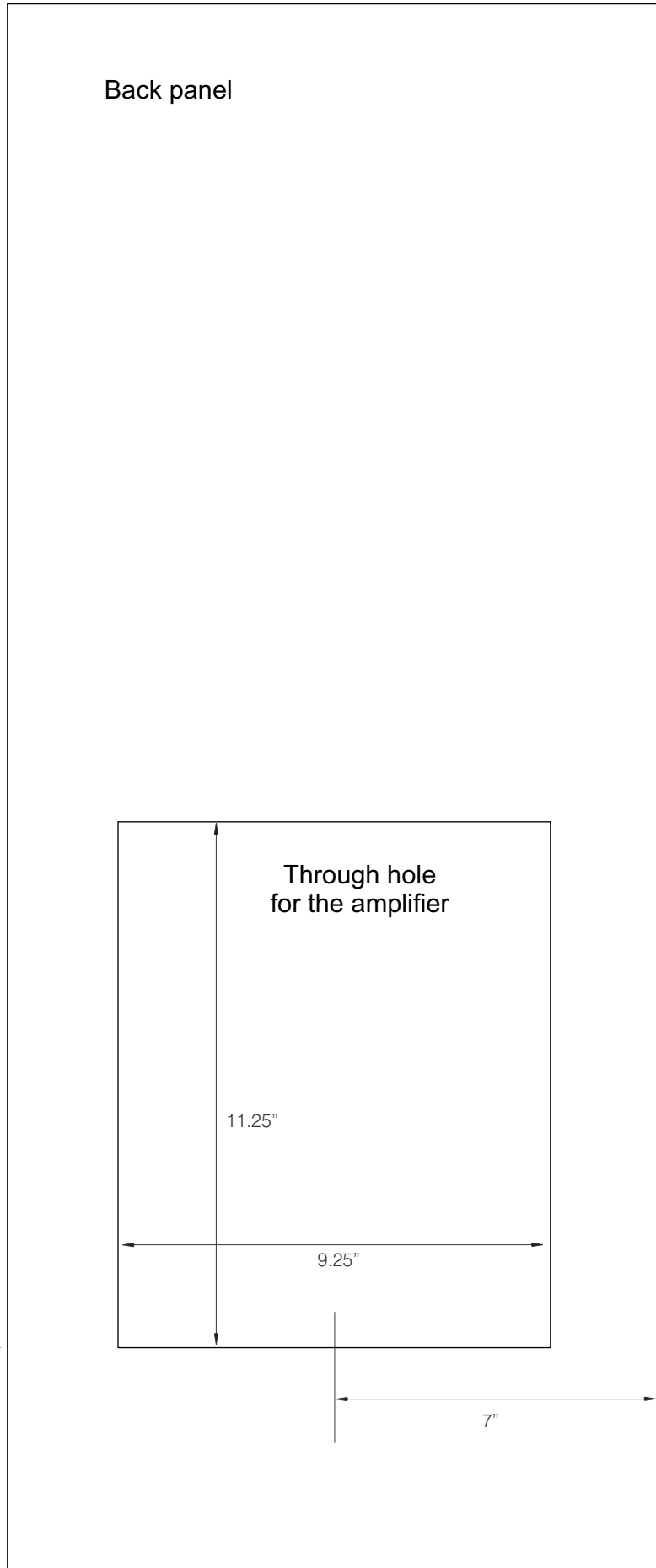
11.25"

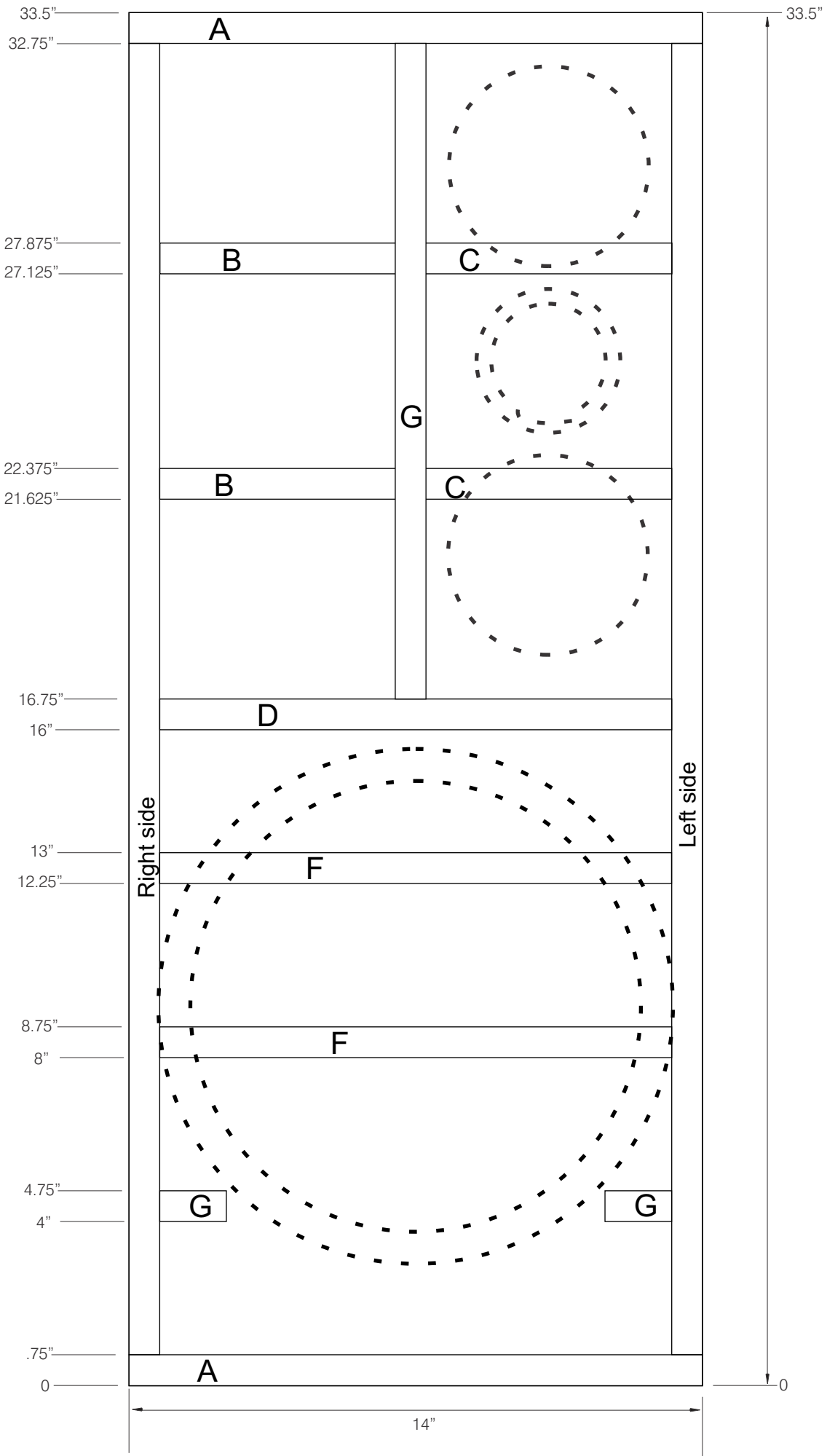
9.25"

4.75"

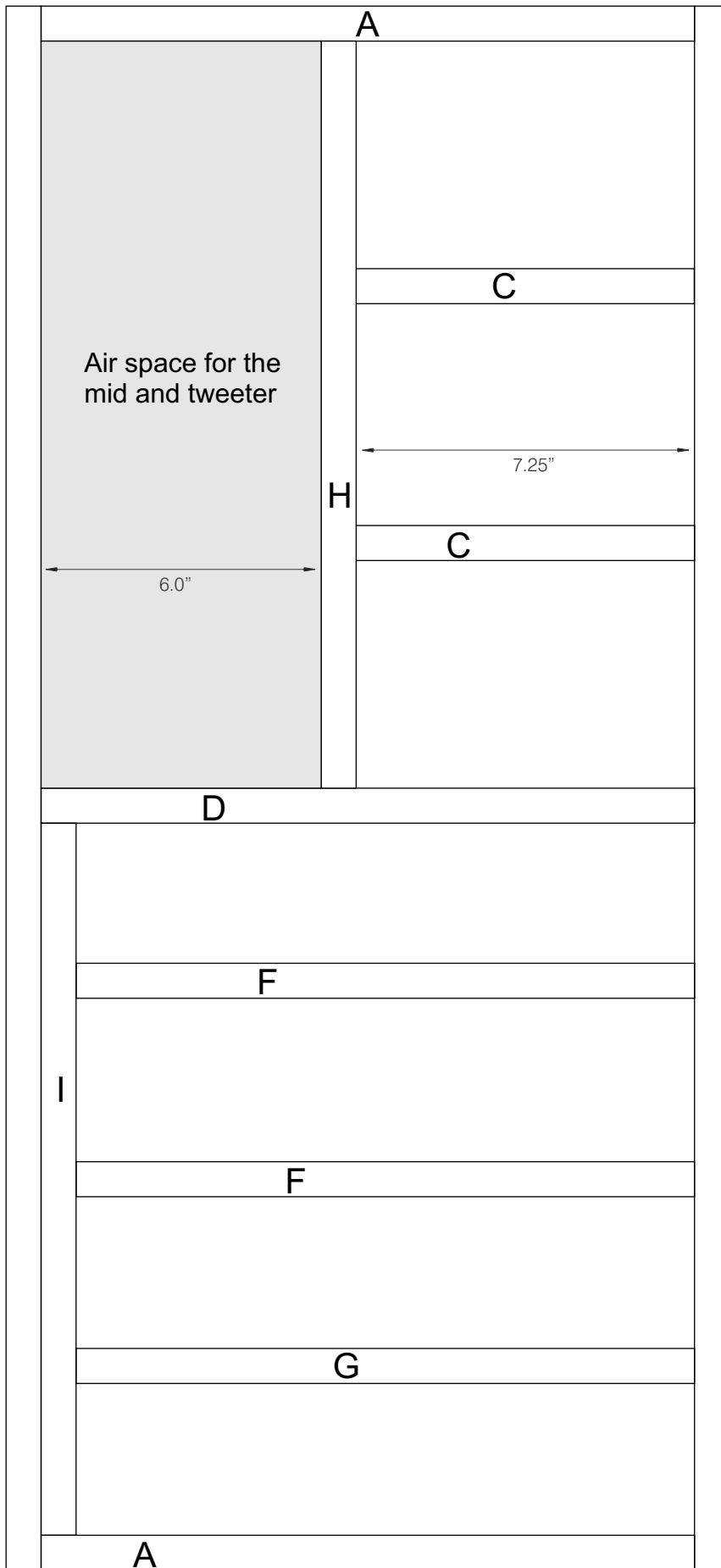
7"

0

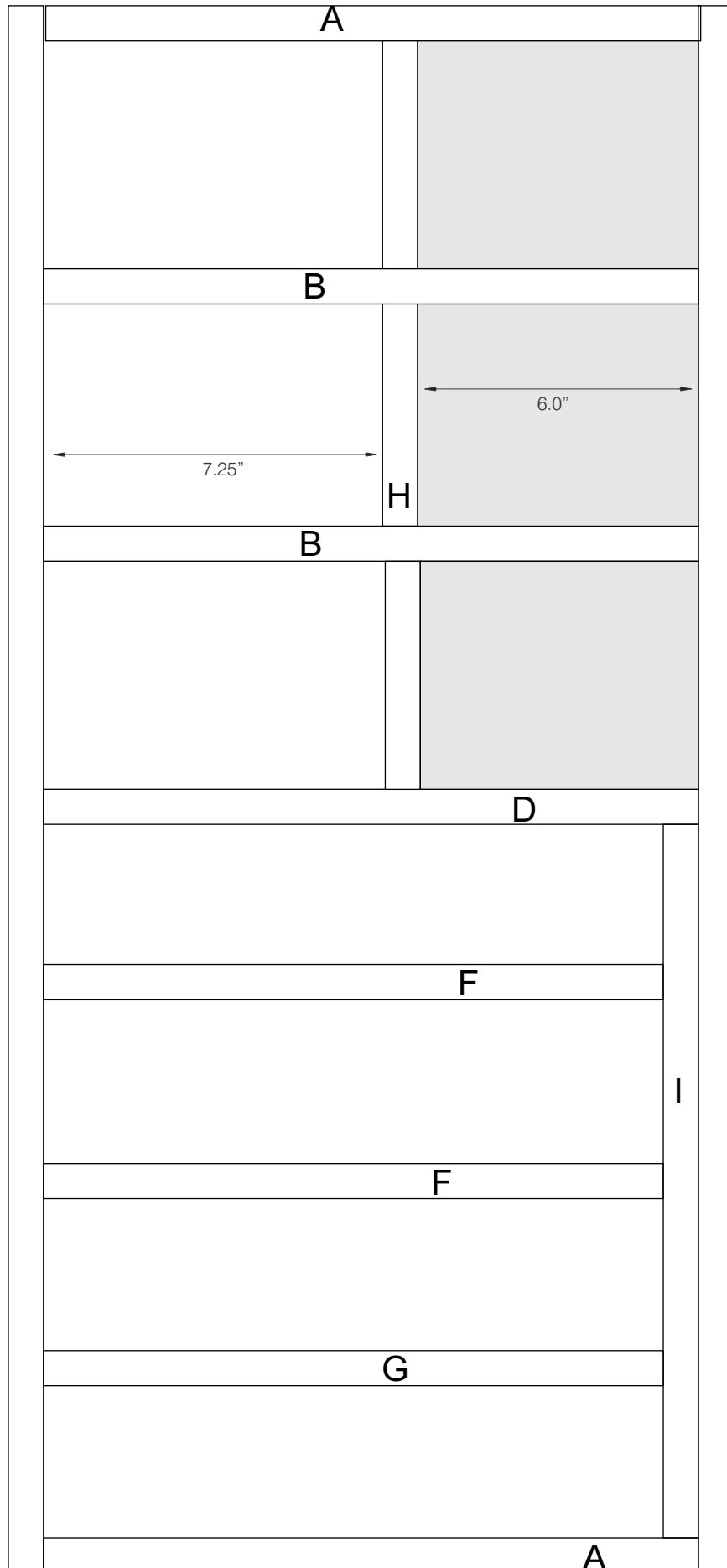




Left side



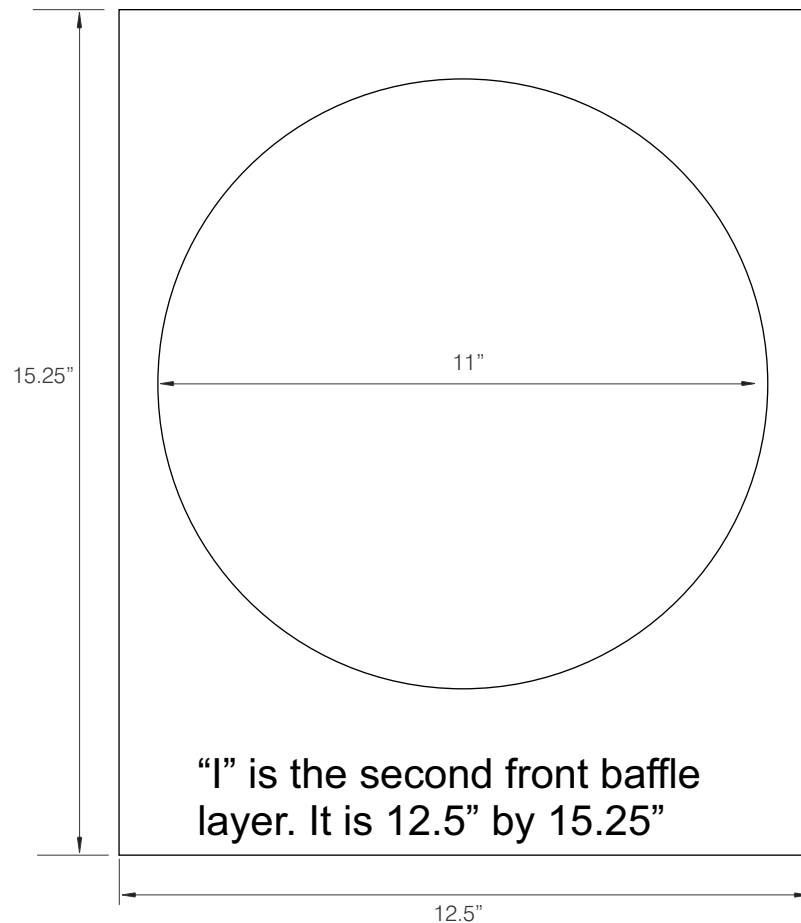
Right side



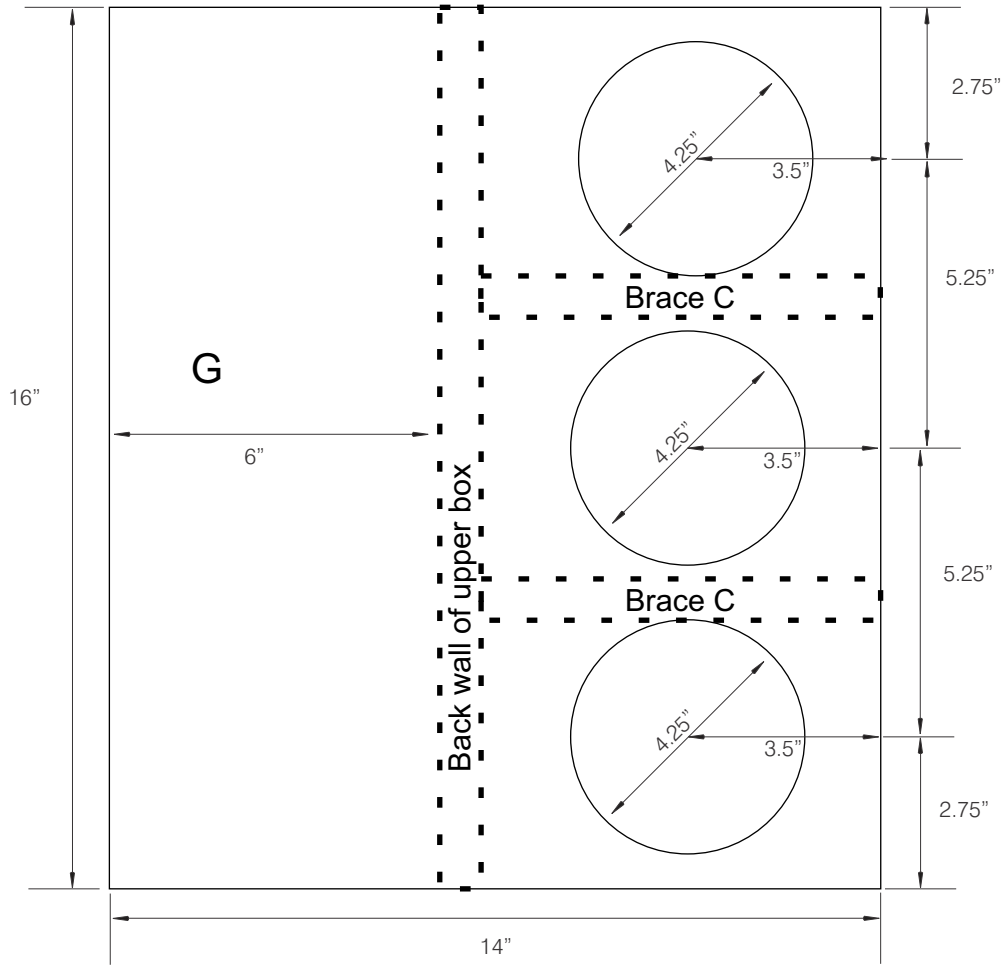
The front and back panels are 14" wide and 33.5" tall.

Side panels are 32" tall and 14" deep.

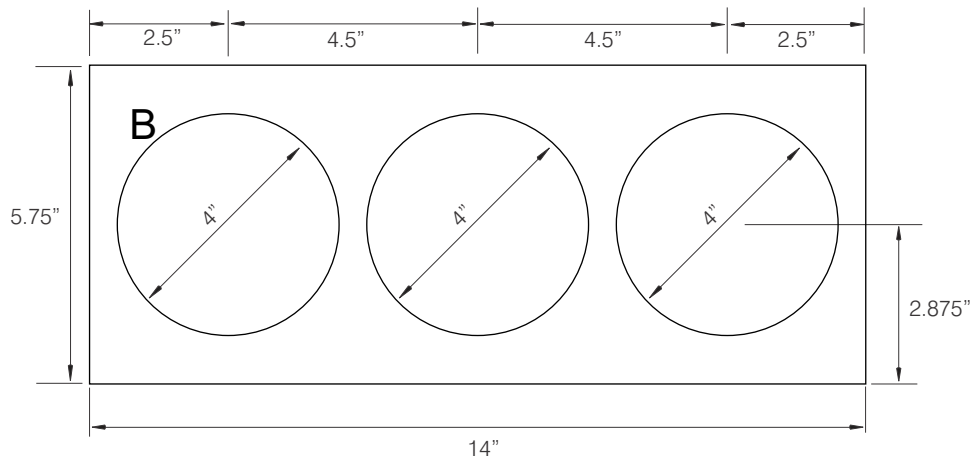
"A" is the top and bottom panel
It is 14" wide and 14" deep.
It is a solid panel.



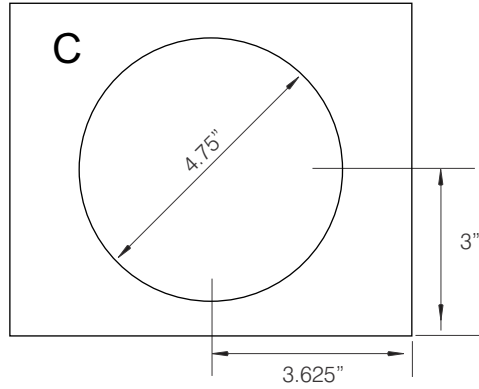
“G” is the side panel of the mid/tweeter box. It runs front to back. It is 16” tall and 14” deep.



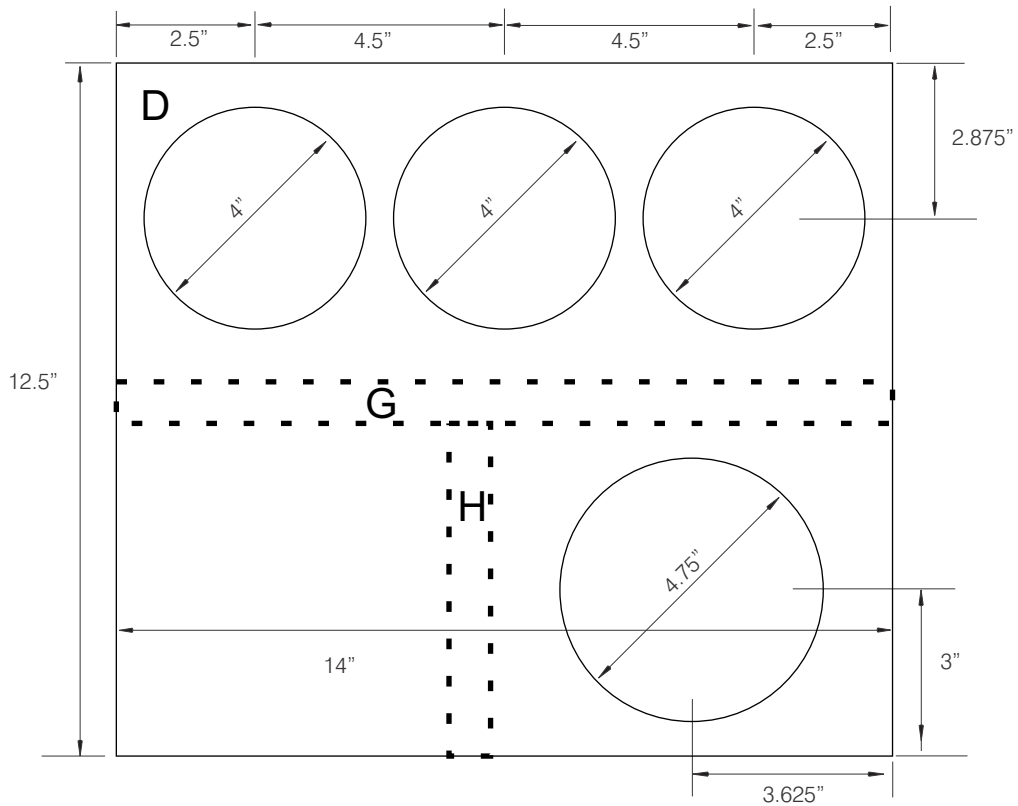
“B” brace is 5.75” wide and 14” deep. It braces the side of the mid/tweeter box to the side of the main box.



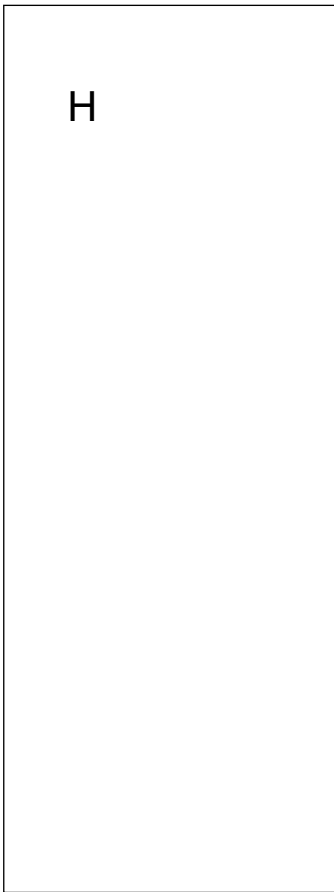
“C” is a brace that goes behind the air space for the mid and tweeter. It is 6” wide and 7.25” deep. Then center a 4.75” through hole.



“D” brace is 12.5” wide and 14” deep. It runs right under the box for the mid and tweeter.



“G” brace is 1.625” wide and 13.25” deep. There are two of these per cabinet and go one each side.



“H” is the back wall for the air space used by the mid and tweeter. It is 6” by 16”

“F” brace is 12.5” wide and 13.25” deep.

