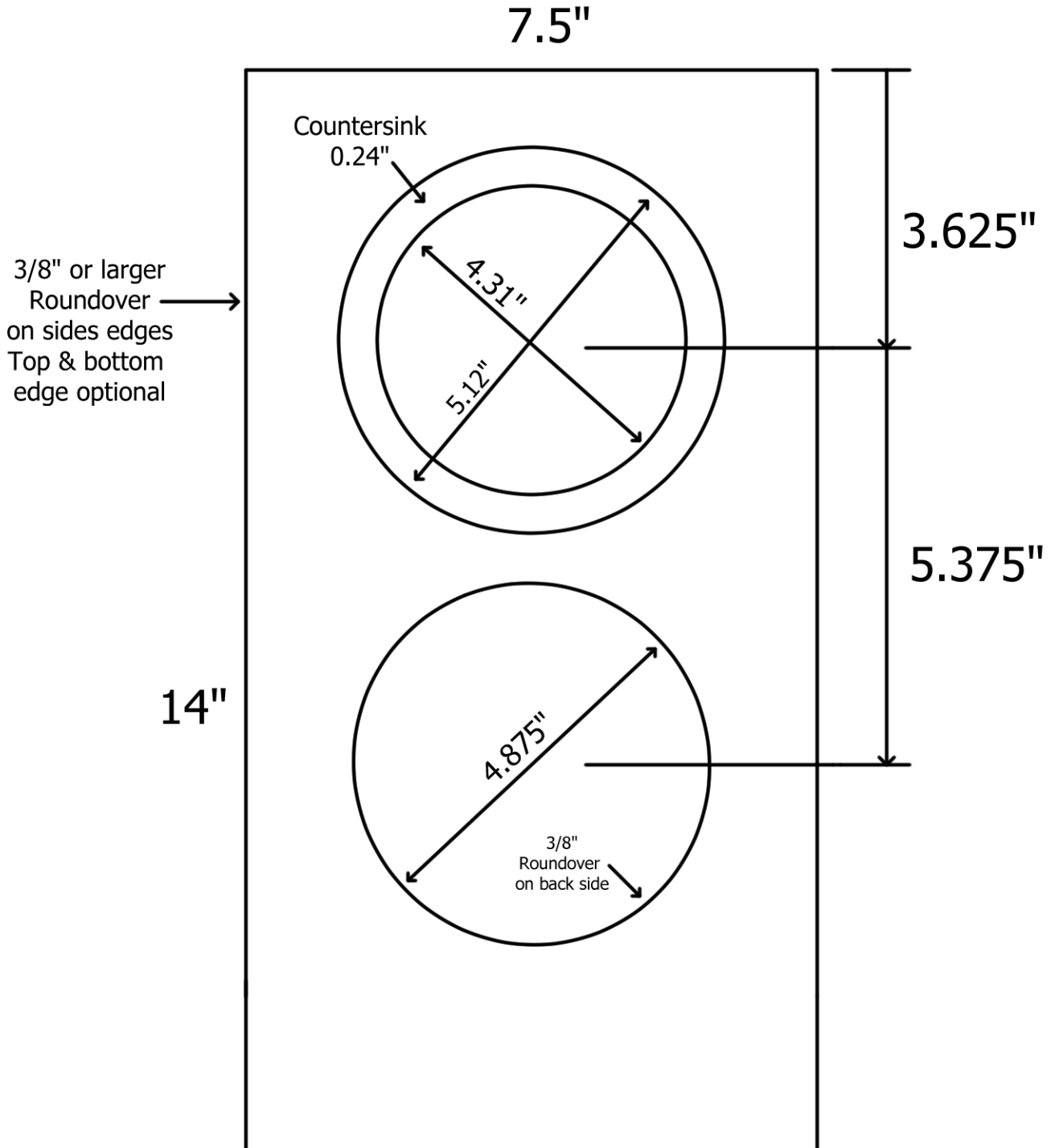
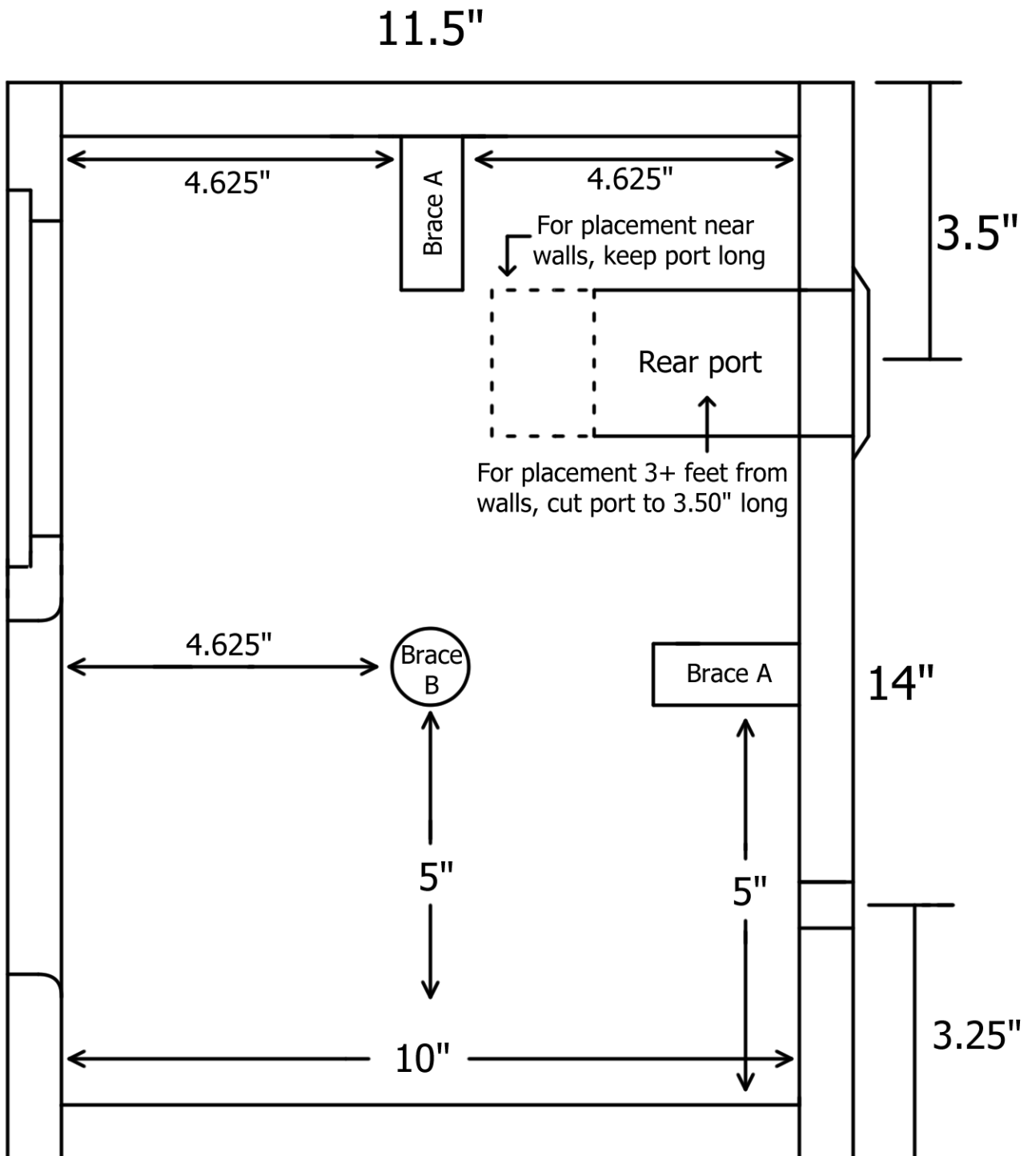


NX-Bravo

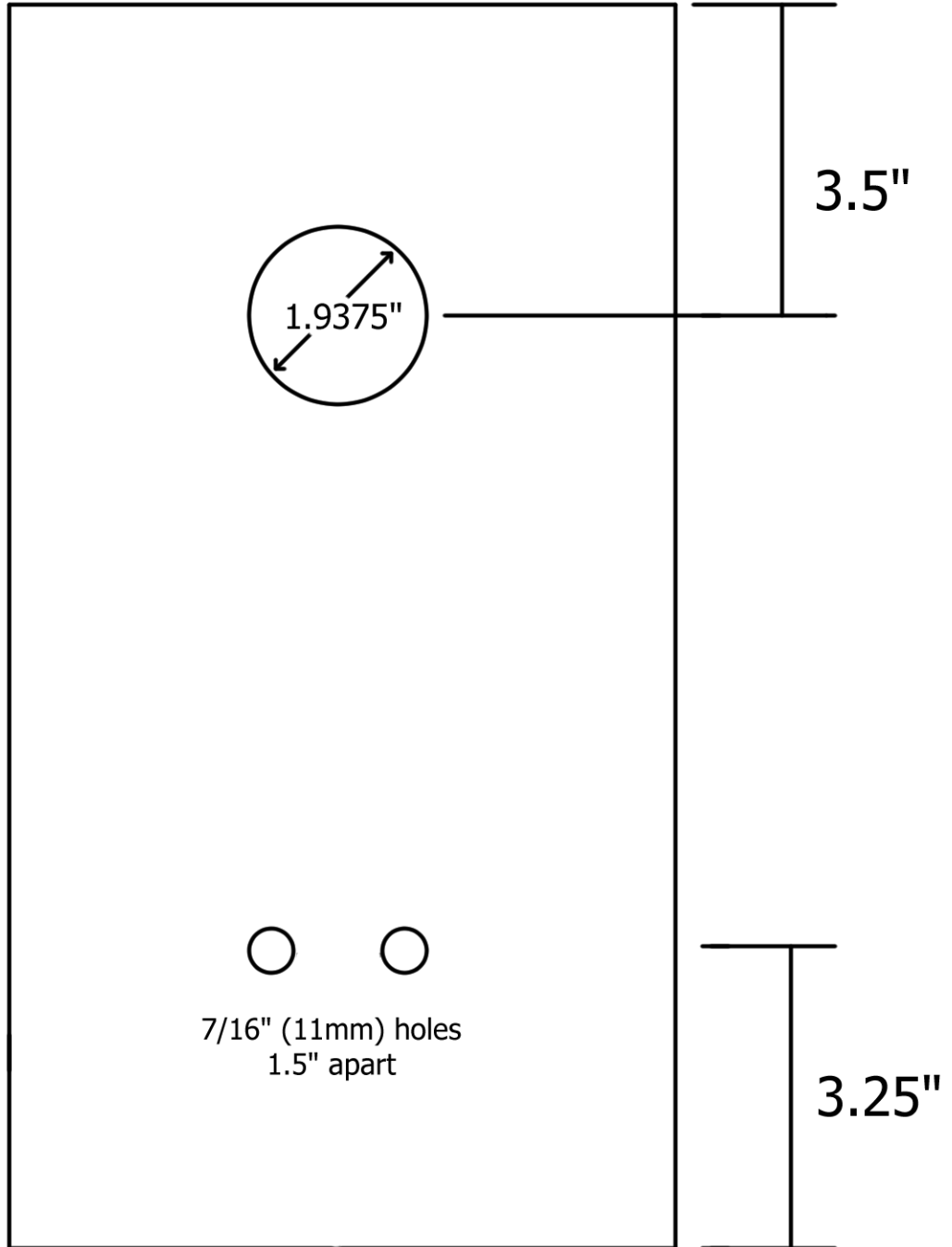


Side View



All cabinet walls are 3/4" thick MDF

Rear Panel



Cut Sheet

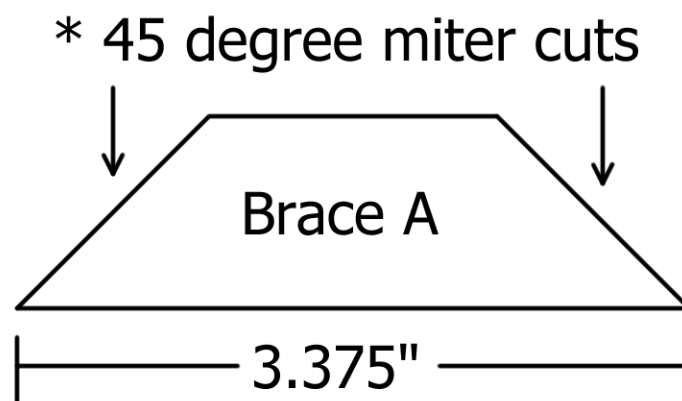
Front & rear panels: Four 7.5" x 14"

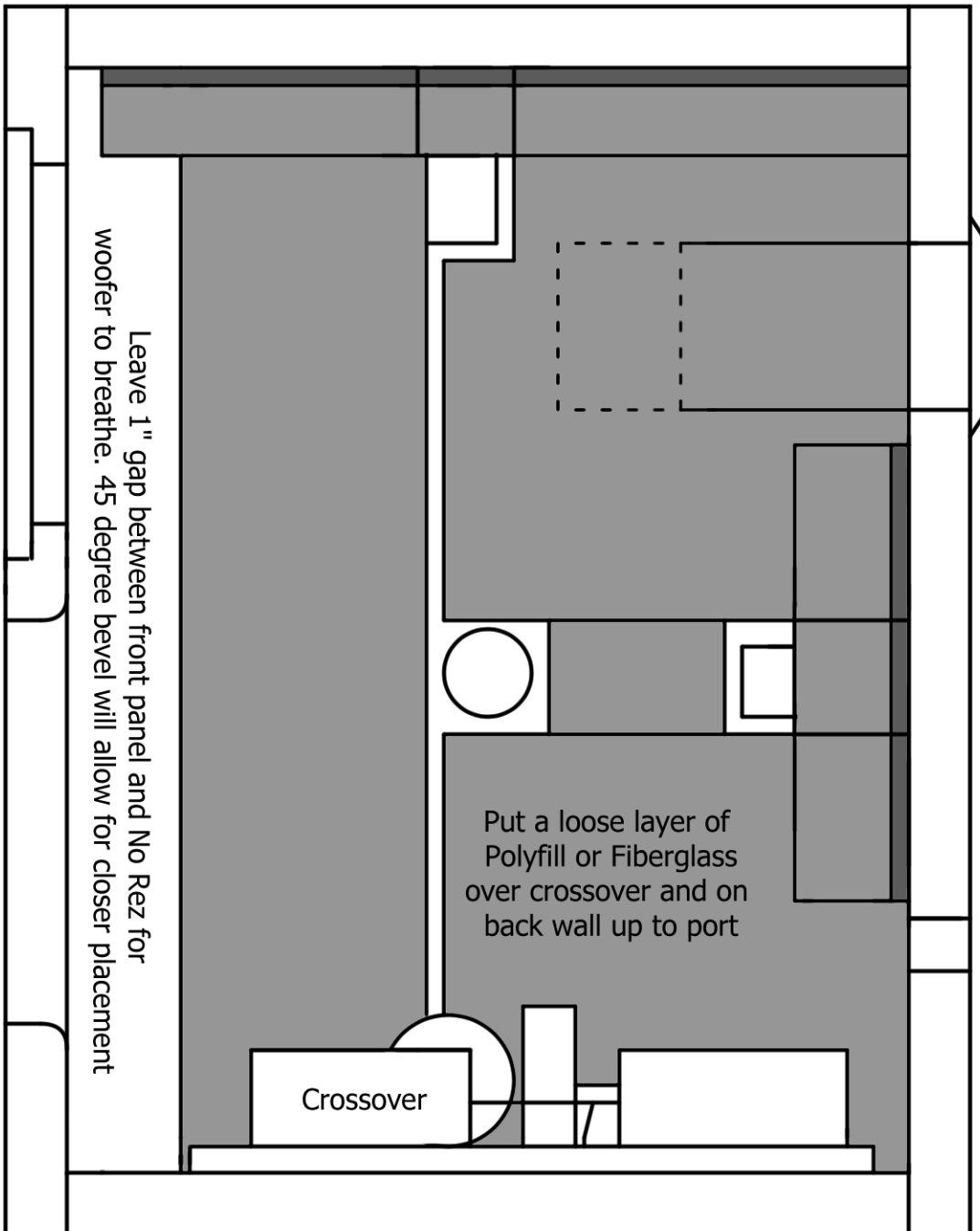
Side panels: Four 10" x 14"

Top/bottom panels: Four 6" x 10"

Brace B: 0.75 x 0.75 x 6"

Brace A: 0.75 x 0.75 x 3.375" *





Leave 1" gap between front panel and No Rez for woofer to breathe. 45 degree bevel will allow for closer placement

Crossover

Put a loose layer of Polyfill or Fiberglass over crossover and on back wall up to port

Tweeter Prep:

The GR Neo 3 tweeter was originally designed for open baffle use. This kit supplies two back cups which will be used to seal the back side of the tweeter into it's own airspace.

The back-cup will need to be loosely filled with fiberglass insulation or polyfill. Cup should be full, but not stuffed.
-DO NOT USE AN EMPTY CUP-

Then the cup will need to be glued onto the back side of the tweeter with silicon adhesive or super glue. Make sure the edges are fully sealed.

