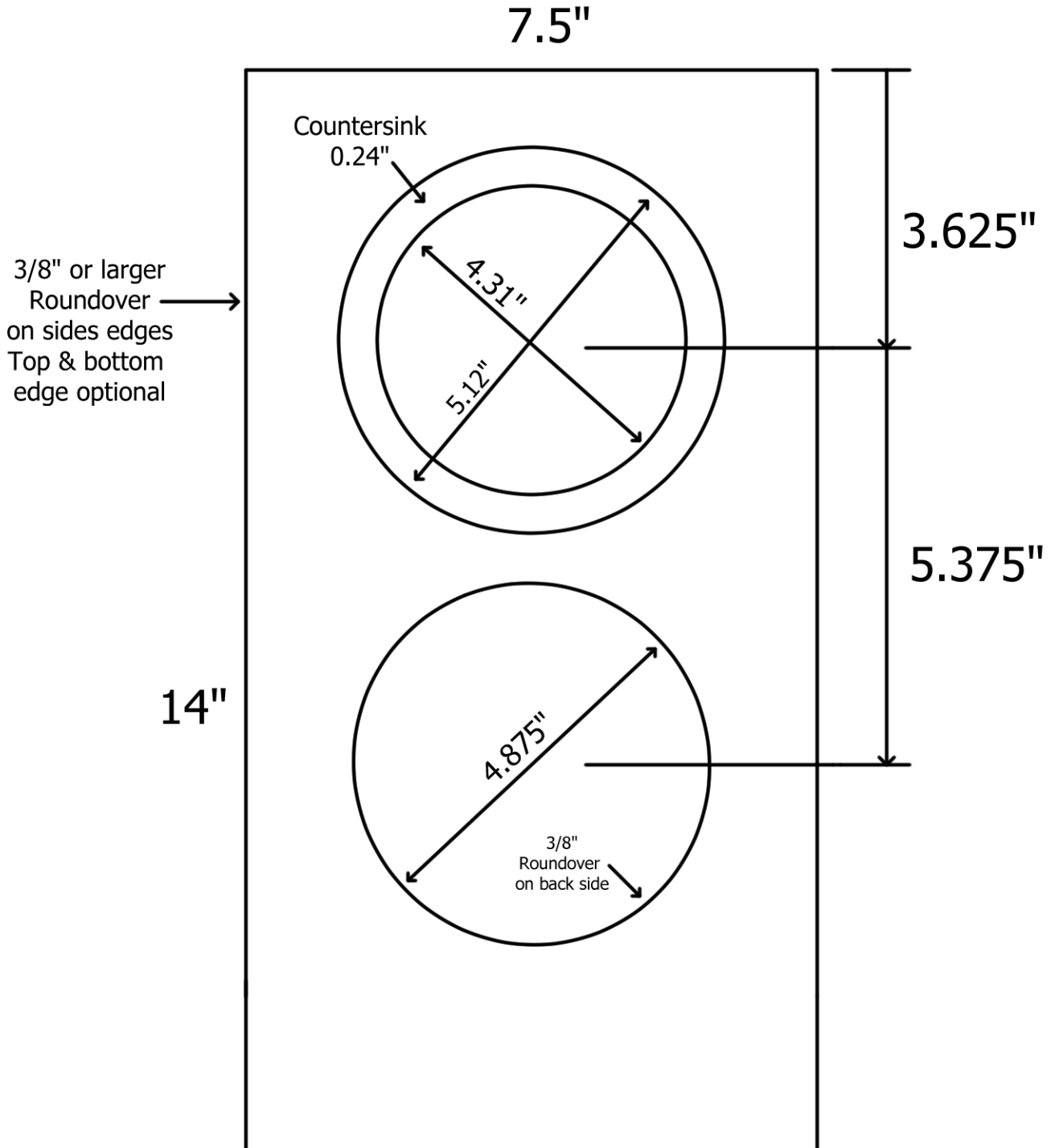
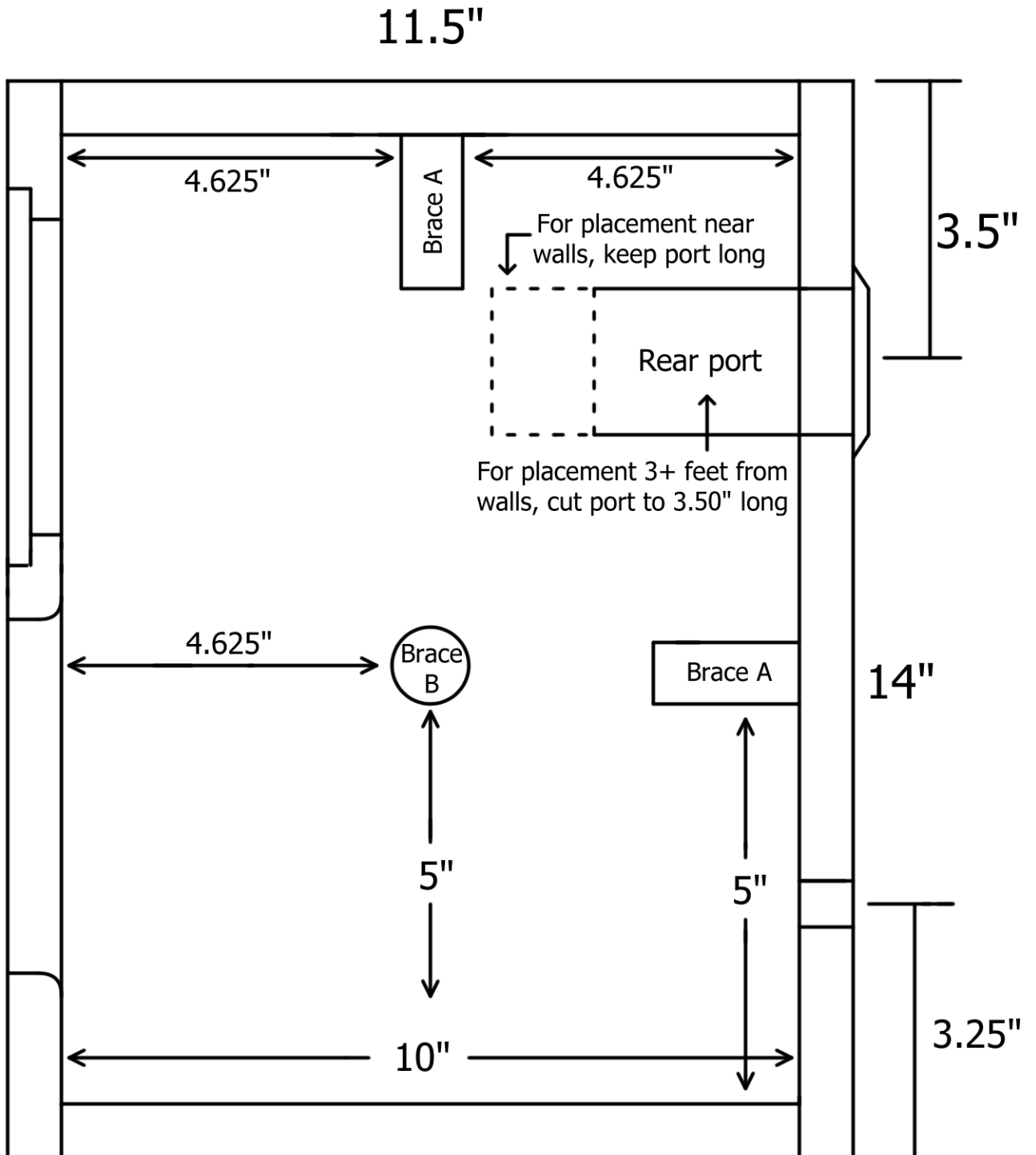


# NX-Bravo

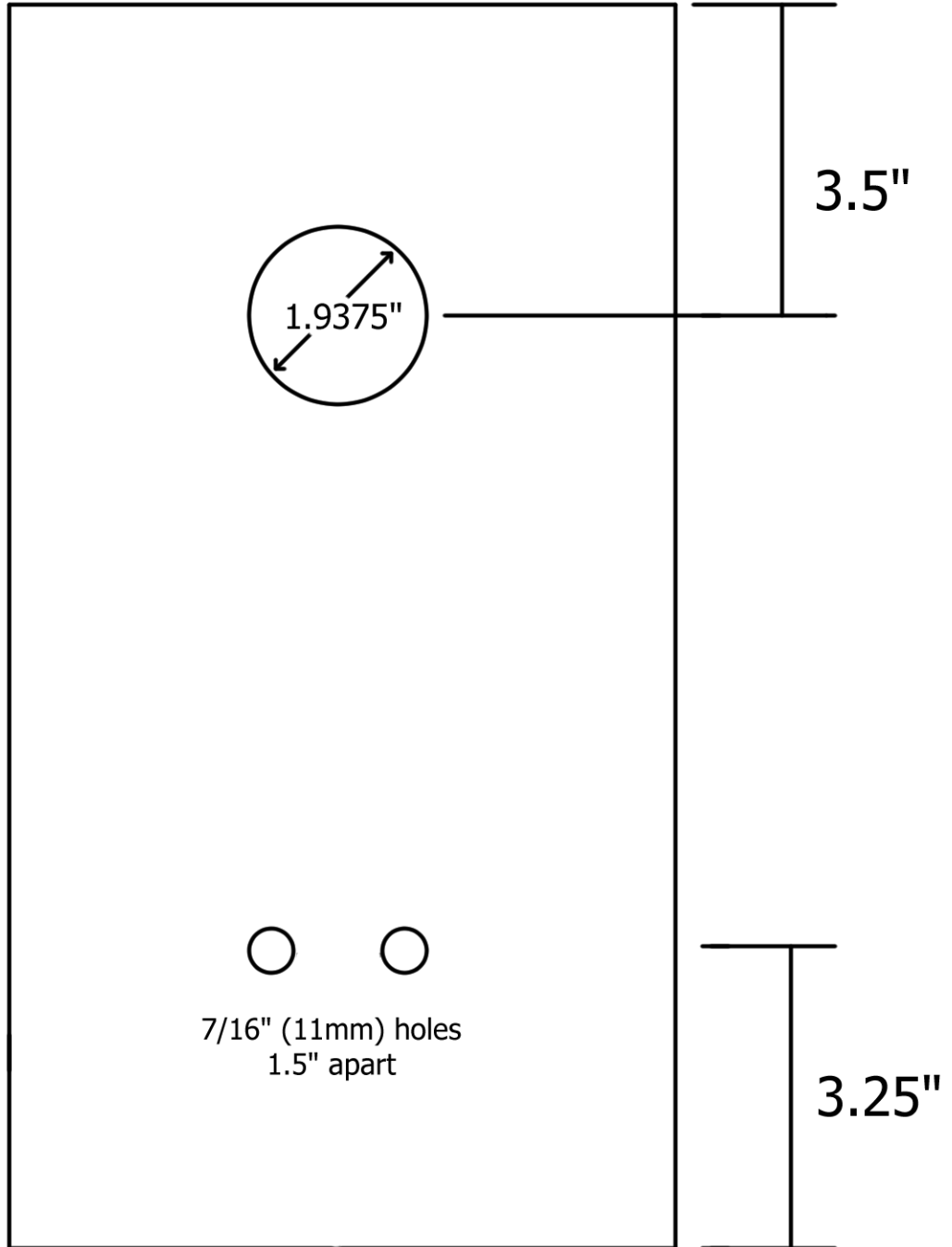


# Side View



All cabinet walls are 3/4" thick MDF

# Rear Panel



# Cut Sheet

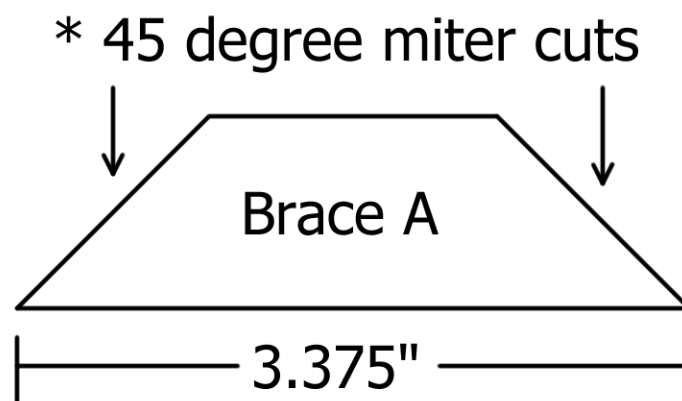
Front & rear panels: Four 7.5" x 14"

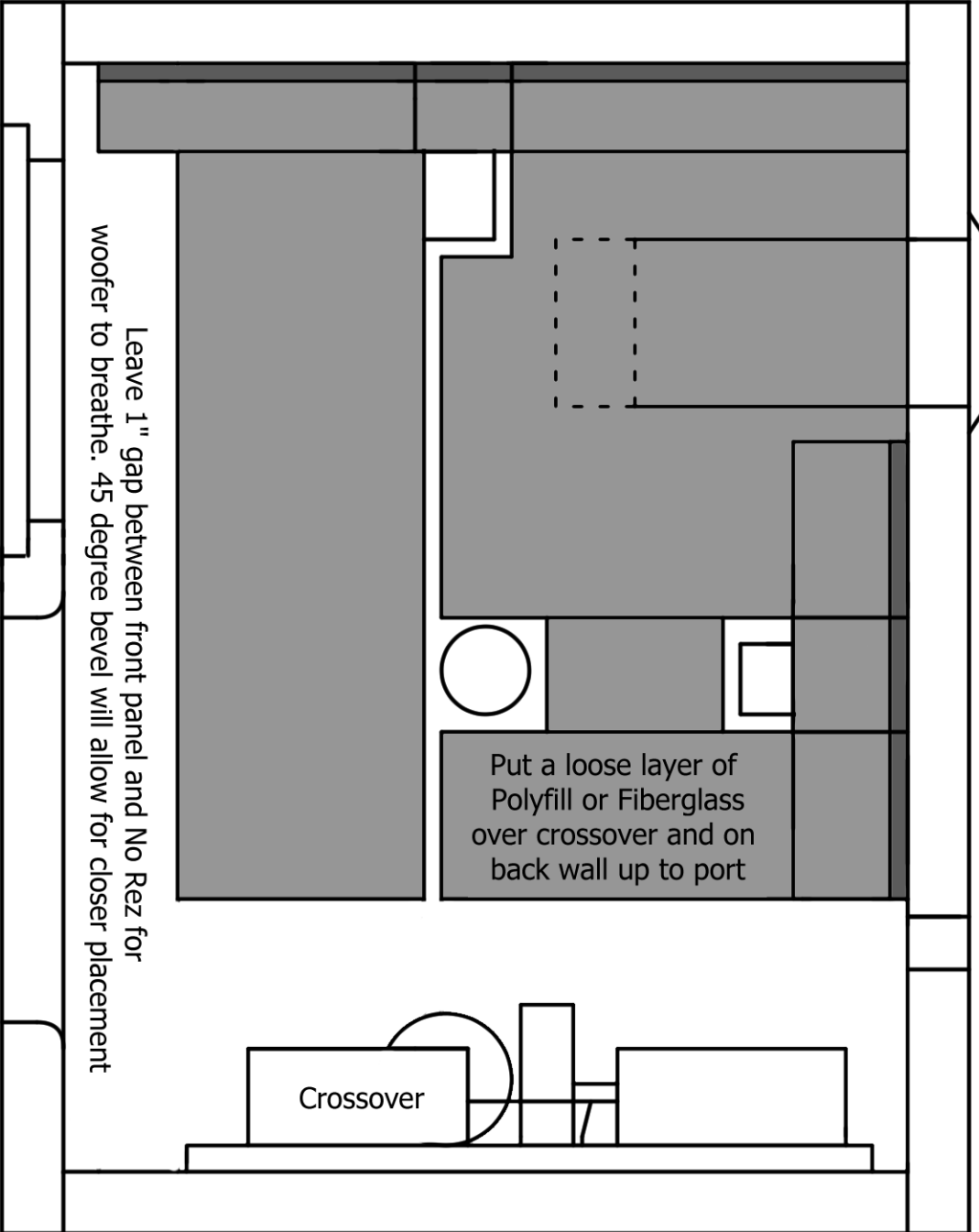
Side panels: Four 10" x 14"

Top/bottom panels: Four 6" x 10"

Brace B: 0.75 x 0.75 x 6"

Brace A: 0.75 x 0.75 x 3.375" \*





Leave 1" gap between front panel and No Rez for woofer to breathe. 45 degree bevel will allow for closer placement

Put a loose layer of Polyfill or Fiberglass over crossover and on back wall up to port

Crossover

# Tweeter Prep:

The GR Neo 3 tweeter was originally designed for open baffle use. This kit supplies two back cups which will be used to seal the back side of the tweeter into it's own airspace.

Each back-cup is stuffed with 2 cotton balls to absorb the rear wave. **DO NOT:** Add or remove or change any stuffing, as it will negatively affect performance.

Then the cup will need to be glued onto the back side of the tweeter with silicon adhesive or super glue. Make sure the edges are fully sealed.

