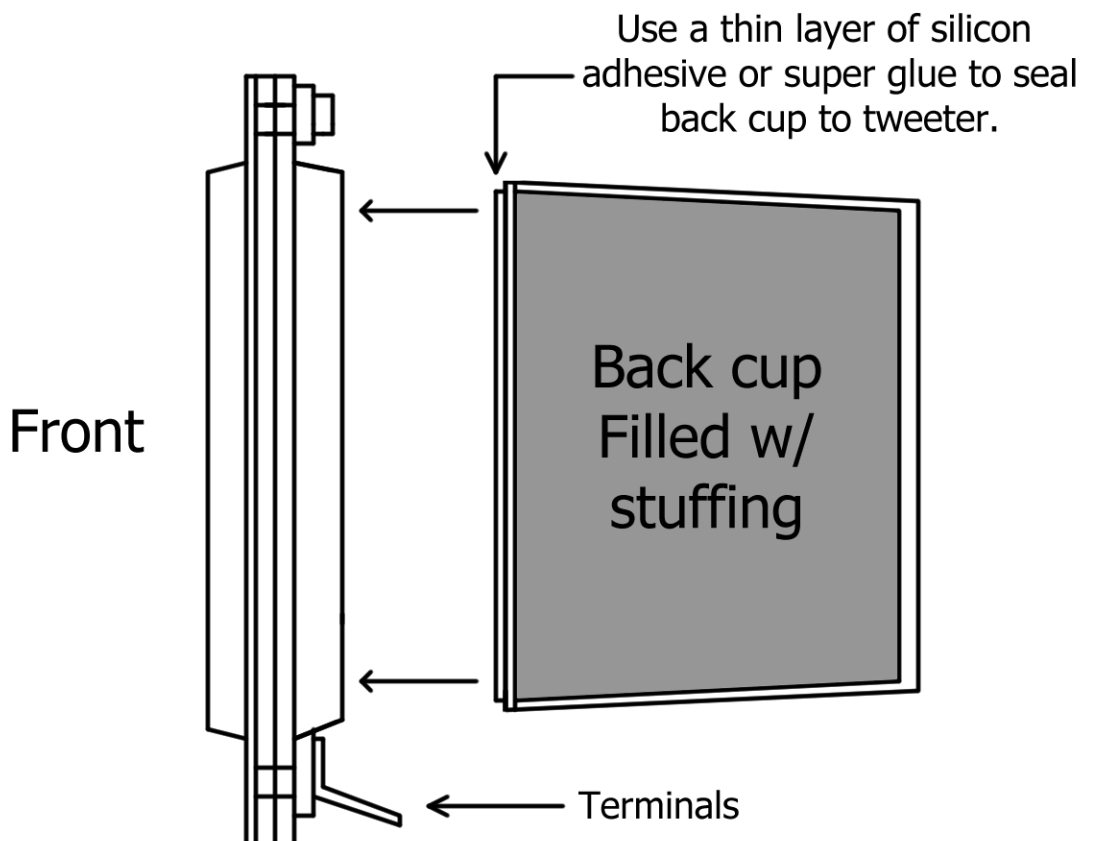


Tweeter Prep:

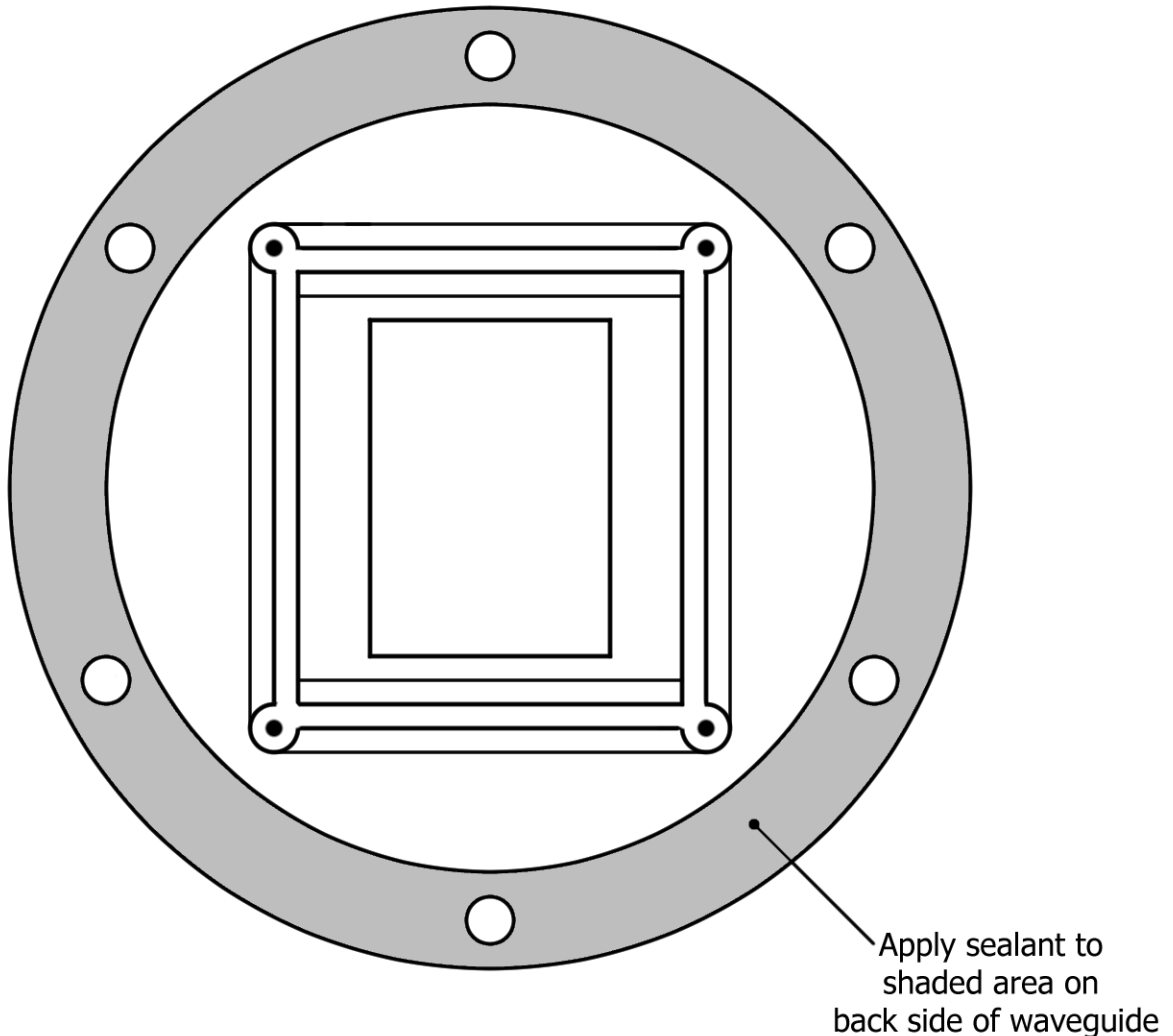
The GR Neo 3 tweeter was originally designed for open baffle use. This kit supplies two back cups which will be used to seal the back side of the tweeter into it's own airspace.

The back-cup will need to be loosely filled with fiberglass insulation or polyfill. Cup should be full, but not stuffed.
-DO NOT USE AN EMPTY CUP-

Then the cup will need to be glued onto the back side of the tweeter with silicon adhesive or super glue. Make sure the edges are fully sealed.



Waveguide Prep



To prevent air from leaking around the waveguide, we recommend using a thin & smooth layer of caulk or silicon sealant on the back side of the waveguide.
(see shaded area)
(Or to the countersink

If you want to keep waveguide easily removable, let sealant cure overnight before attaching waveguide to baffle