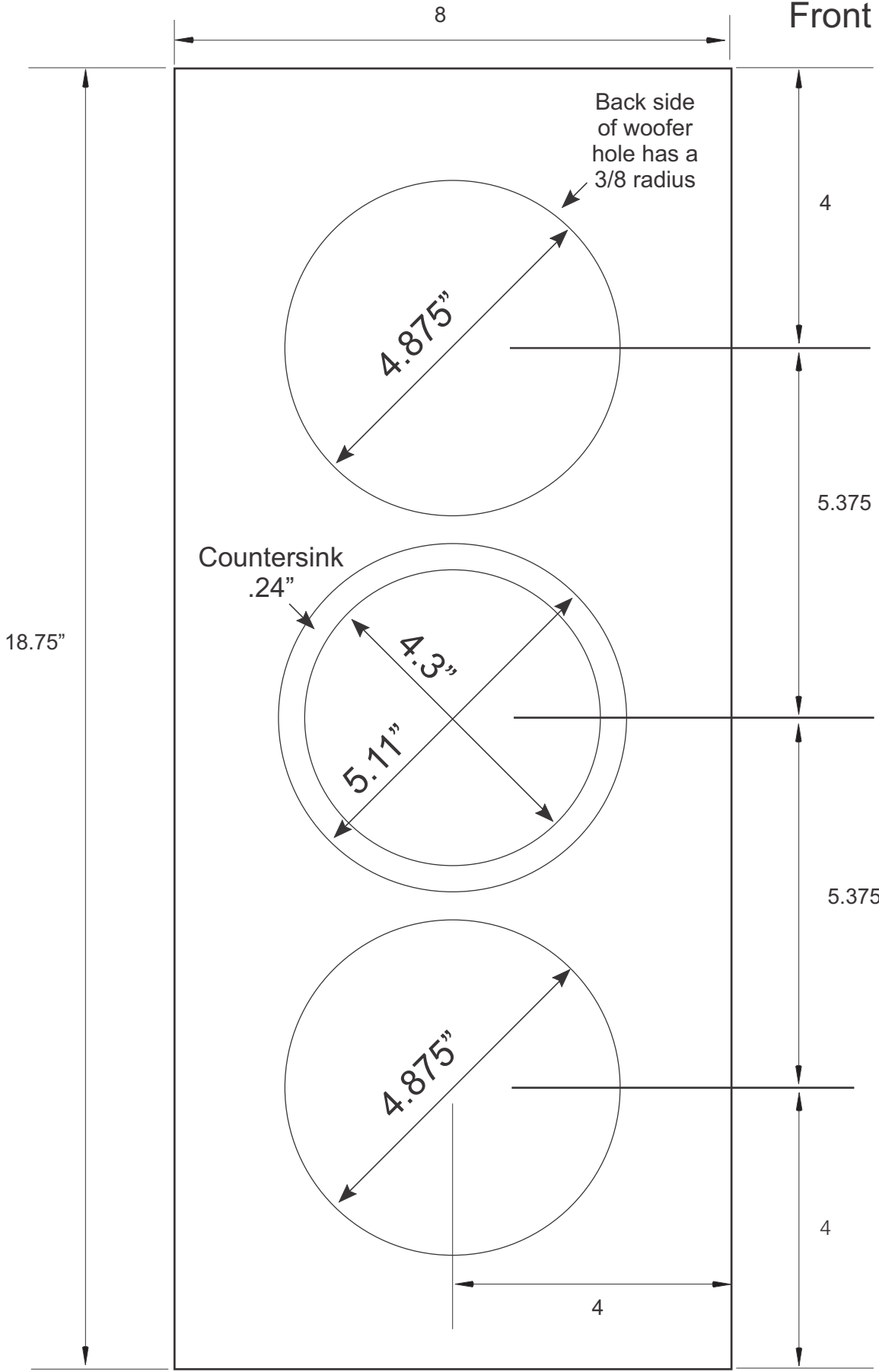
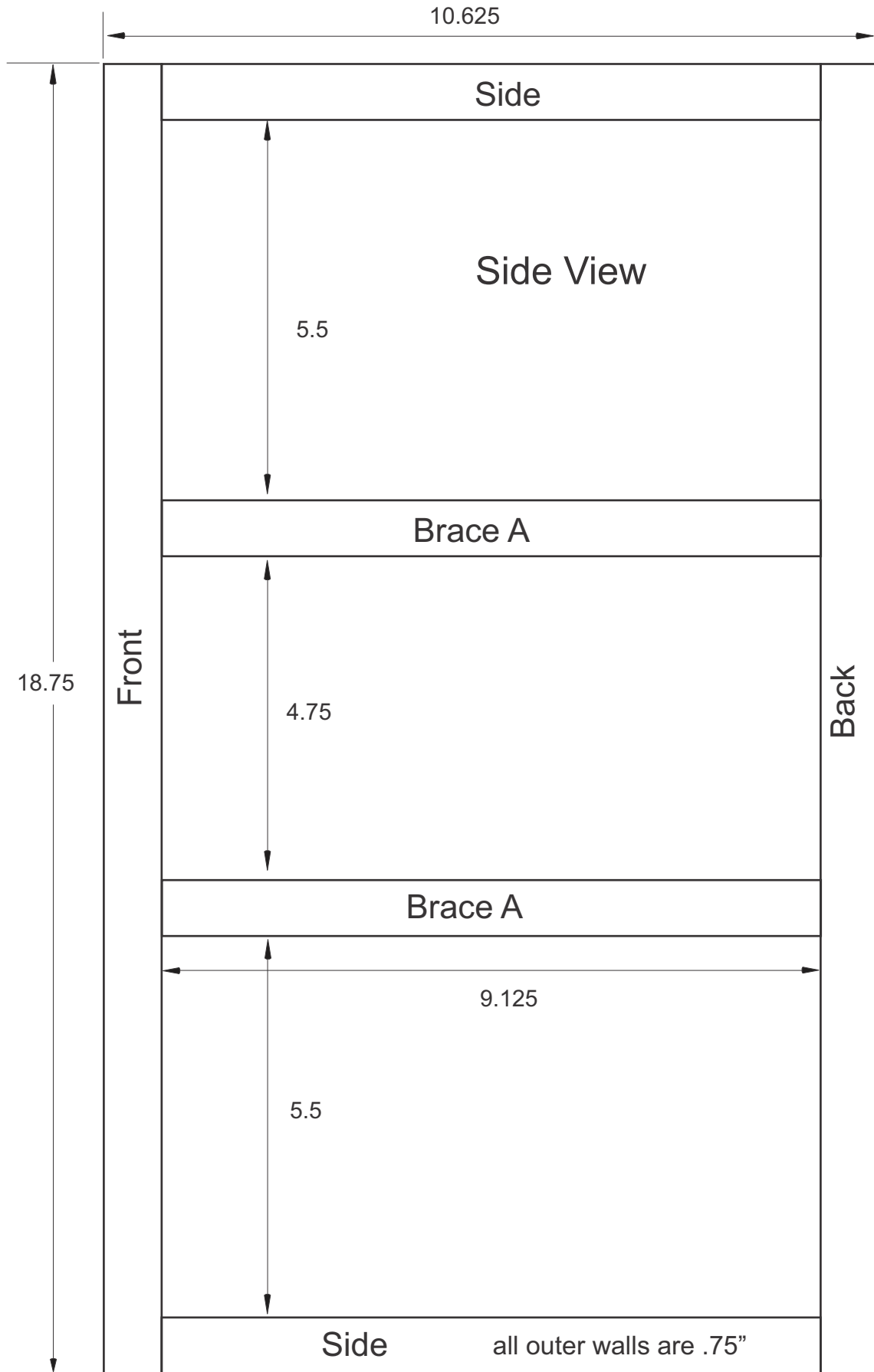
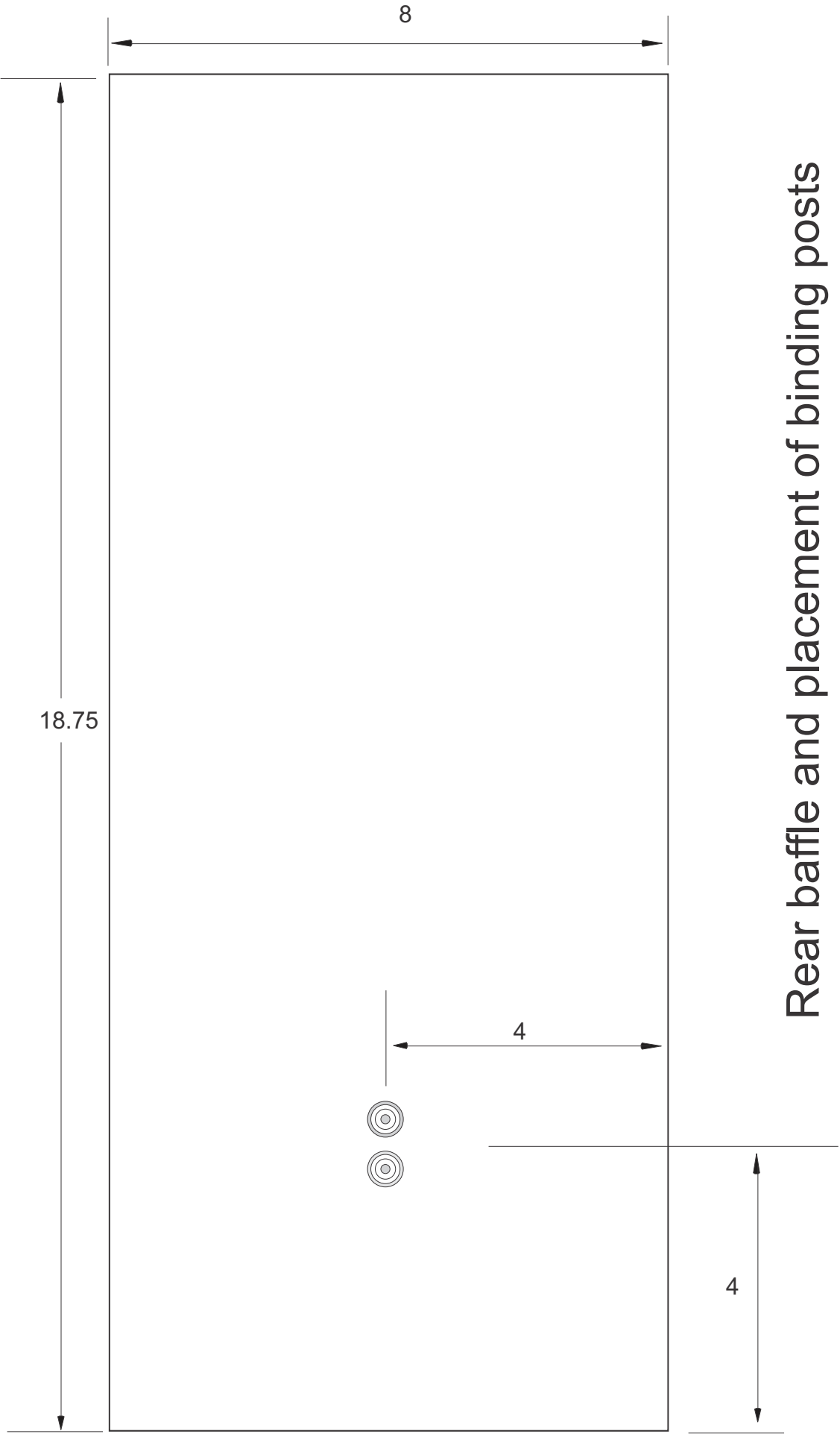


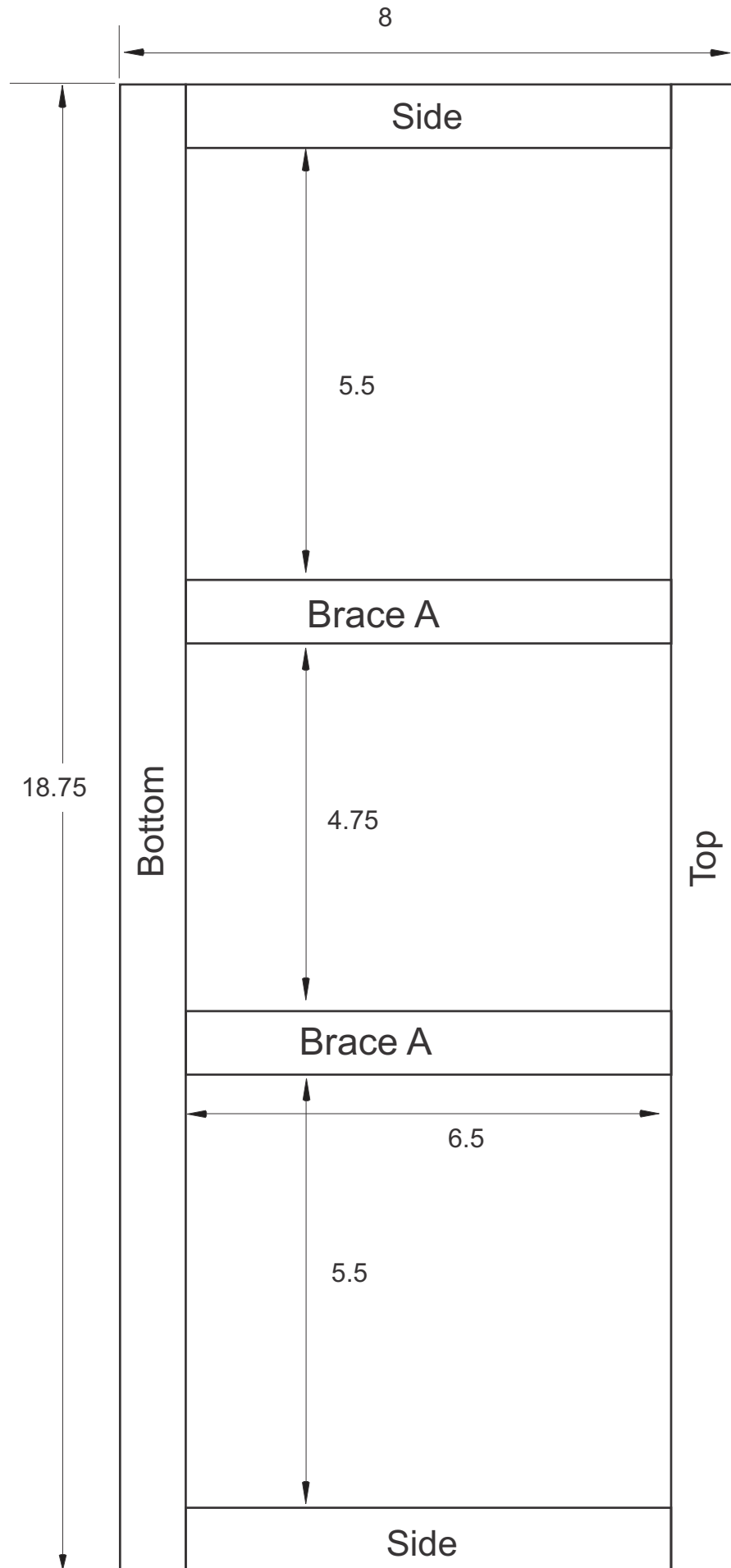
Front Baffle







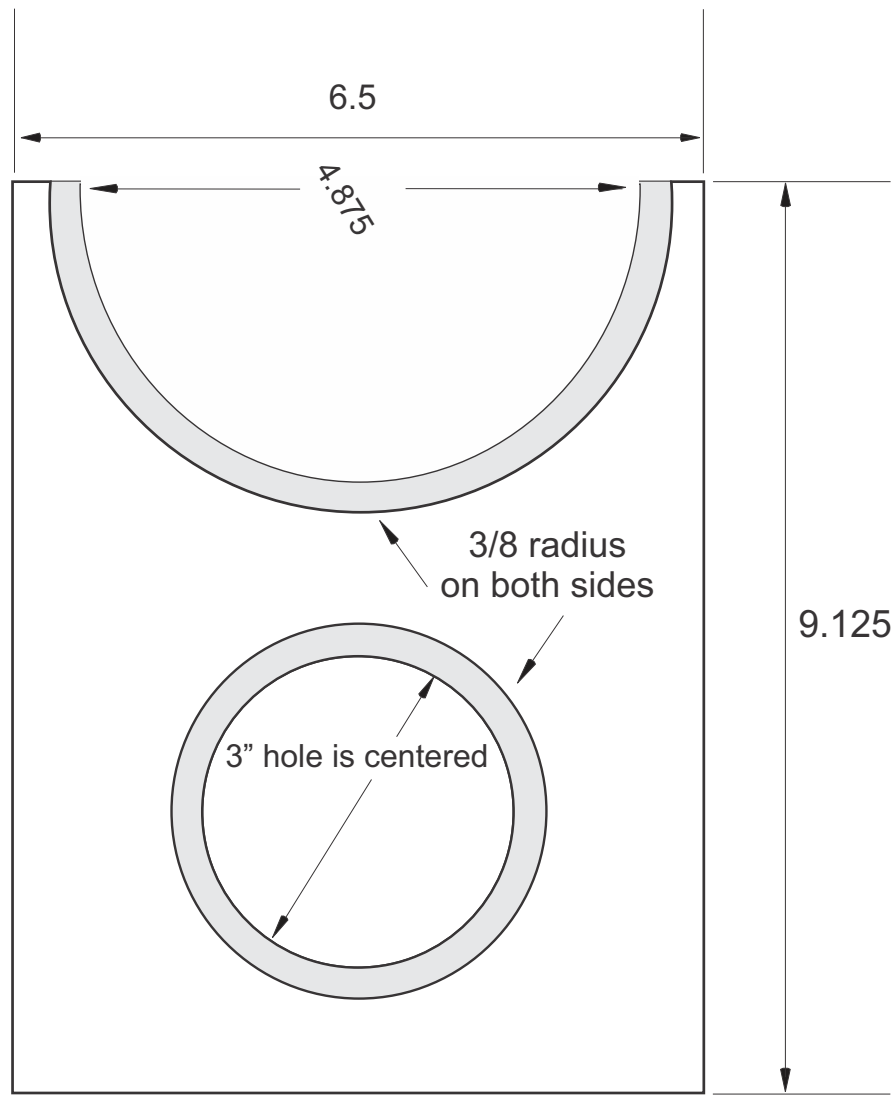
Rear baffle and placement of binding posts



Front View

This speaker will actually be placed on its side and used as a center channel.

Brace A



Cut List

Front/Back - 18.75" wide by 8" tall

Sides - 9.125" deep by 8" tall

Top/Bottom - 9.125" deep by 17.25" wide

Brace A - 9.125" deep by 6.5" tall